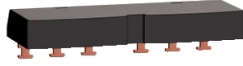


Product data sheet

Specifications



Lineryy FT, Comb busbar for parallelling 2 contactors



GV3G264

Product availability: Stock - Normally stocked in distribution facility

Price*: 37.50 USD

Main

Range	Lineryy
Product Name	FT
Device Short Name	GV3G
Product Or Component Type	Comb busbar
Accessory / Separate Part Category	Connection accessory
Poles Description	3P
Range Compatibility	TeSys Deca TeSys K TeSys U TeSys GV3
Product Compatibility	GV3P LC1D40A...D65A GV3L
Number Of Tap-Offs	2
[Ith] Conventional Free Air Thermal Current	115 A
Connection Pitch	2.52 in (64 mm)

Complementary

Mounting Location	On terminal
[UI] Rated Insulation Voltage	690 V
Net Weight	0.33 lb(US) (0.15 kg)

Ordering and shipping details

Category	US10I1122366
Discount Schedule	0I11
Gtin	3389119410083
Returnability	Yes
Country Of Origin	US

Packing Units

Unit Type Of Package 1	PCE
Number Of Units In Package 1	1
Package 1 Height	1.18 in (3.0 cm)
Package 1 Width	1.97 in (5.0 cm)

Price is "List Price" and may be subject to a trade discount – check with your local distributor or retailer for actual price.

Package 1 Length	4.72 in (12.0 cm)
Package 1 Weight	5.43 oz (154.0 g)
Unit Type Of Package 2	S01
Number Of Units In Package 2	30
Package 2 Height	5.91 in (15.0 cm)
Package 2 Width	5.91 in (15.0 cm)
Package 2 Length	15.75 in (40.0 cm)
Package 2 Weight	10.66 lb(US) (4.836 kg)

Contractual warranty

Warranty	18 months
-----------------	-----------

Sustainability

Green Premium™ label is Schneider Electric's commitment to delivering products with best-in-class environmental performance. Green Premium promises compliance with the latest regulations, transparency on environmental impacts, as well as circular and low-CO₂ products.

Guide to assessing product sustainability is a white paper that clarifies global eco-label standards and how to interpret environmental declarations.

[Learn more about Green Premium >](#)

[Guide to assess a product's sustainability >](#)



Transparency RoHS/REACH

Well-being performance

✓ Reach Free Of Svhc

✓ Toxic Heavy Metal Free

✓ Mercury Free

✓ Rohs Exemption Information Yes

Certifications & Standards

Reach Regulation

[REACH Declaration](#)

Eu Rohs Directive

Compliant

[EU RoHS Declaration](#)

China Rohs Regulation

[China RoHS declaration](#)

Pro-active China RoHS declaration (out of China RoHS legal scope)

Environmental Disclosure

[Product Environmental Profile](#)

Weee

The product must be disposed on European Union markets following specific waste collection and never end up in rubbish bins.

Circularity Profile

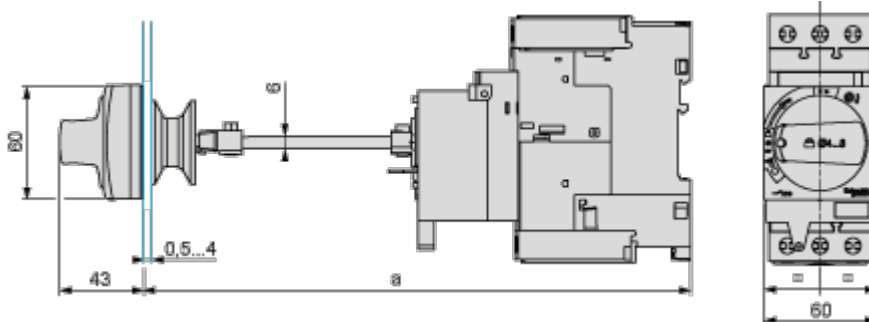
[End of Life Information](#)

California Proposition 65

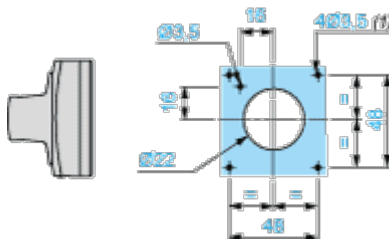
WARNING: This product can expose you to chemicals including: Lead and lead compounds, which is known to the State of California to cause cancer and birth defects or other reproductive harm. For more information go to www.P65Warnings.ca.gov

Dimensions Drawings

Mounting of External Operator GV3APN01, GV3APN02 or GV3APN04 for Motor Circuit Breakers GV3L

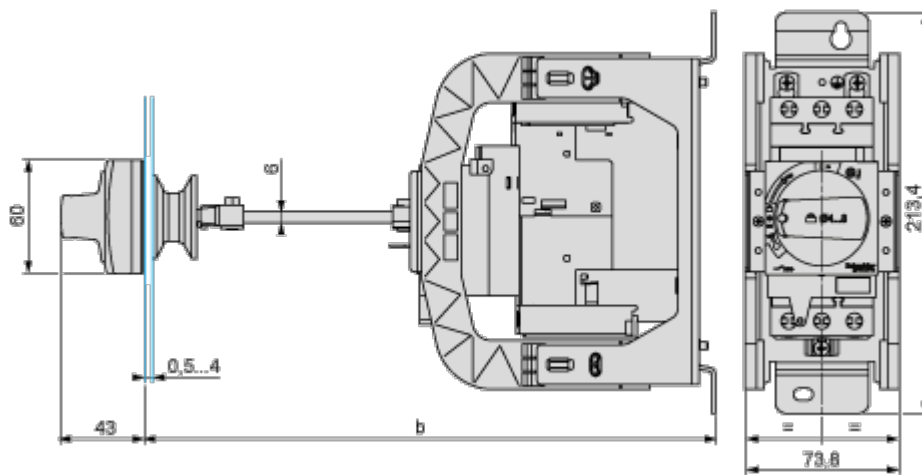


Door cut-out



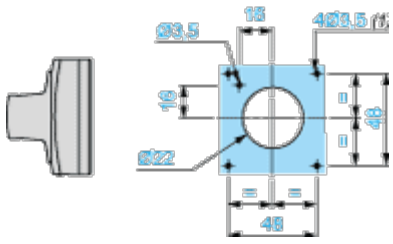
(1) For IP65 only.

Mounting of External Operator GVAPH03 for Motor Circuit Breakers GV3L



	b	
	Minimum	Maximum
GV3APN $\bullet\bullet$ + GVAPH03	200	300
GV3APN $\bullet\bullet$ + GVAPH03 + GVAPK12	300	492

Door cut-out



(1) For IP65 only.