

Product data sheet

Specifications



M172 IloT Secure Interface Plug-in

TM172SIP

Product availability: Stock - Normally stocked in distribution facility

Price*: 300.00 USD

Main

Range Of Product	Modicon M171/M172
Product Or Component Type	Communication module
Concept	Modbus
Communication Port Protocol	Modbus TCP/IP HTTPS FTPS NTP SMTPS SNMP v2 SNMP v3 MQTT over TLS

Complementary

Power Consumption In W	8 W
Integrated Connection Type	2 Ethernet TCP/IP 2 x RJ45 in parallel - ethernet cable - embedded HTTPS server 1 USB (V2.0) port USB host port type A 1 USB (V2.0) port USB device port type mini-B
Transmission Rate	10/100/1000 Mbps for connecting Ethernet network
Physical Interface	10 BASE-T/100 BASE-TX/1000 BASE-T - 10/100/1000 BASE-TX
Memory Description	Internal RAM 256 MB Flash 512 MB
Supply	External power supply
Local Signalling	for power ON LED (green) for USER (programmable) LED (red) for USER (programmable) LED (yellow) for USER (programmable) LED (green)
Product Compatibility	Logic controller M172
Overvoltage Category	I
Width	4.33 in (110 mm)
Height	2.36 in (60 mm)
Depth	2.83 in (72 mm)
Net Weight	0.36 lb(US) (0.165 kg)

Environment

Product Certifications	cURus CSA EAC CE RCM UKCA UL 94
------------------------	---

Price is "List Price" and may be subject to a trade discount – check with your local distributor or retailer for actual price.

Ip Degree Of Protection	IP20
Ambient Air Temperature For Operation	-4...131 °F (-20...55 °C)
Ambient Air Temperature For Storage	-22...158 °F (-30...70 °C)
Relative Humidity	5...95 % non-condensing
Pollution Degree	2
Shock Resistance	1 g 11 ms

Ordering and shipping details

Category	US1PC1222537
Discount Schedule	PC12
Gtin	3606482071100
Returnability	Yes
Country Of Origin	IT

Packing Units

Unit Type Of Package 1	PCE
Number Of Units In Package 1	1
Package 1 Height	2.76 in (7.000 cm)
Package 1 Width	3.62 in (9.200 cm)
Package 1 Length	5.24 in (13.300 cm)
Package 1 Weight	7.37 oz (209.000 g)
Unit Type Of Package 2	S02
Number Of Units In Package 2	15
Package 2 Height	5.91 in (15.000 cm)
Package 2 Width	11.81 in (30.000 cm)
Package 2 Length	15.75 in (40.000 cm)
Package 2 Weight	7.56 lb(US) (3.427 kg)

Sustainability

Green Premium™ label is Schneider Electric's commitment to delivering products with best-in-class environmental performance. Green Premium promises compliance with the latest regulations, transparency on environmental impacts, as well as circular and low-CO₂ products.

Guide to assessing product sustainability is a white paper that clarifies global eco-label standards and how to interpret environmental declarations.

[Learn more about Green Premium >](#)

[Guide to assess a product's sustainability >](#)



Transparency RoHS/REACH

Well-being performance

Mercury Free

Rohs Exemption Information Yes

Certifications & Standards

Reach Regulation [REACH Declaration](#)

Eu Rohs Directive Pro-active compliance (Product out of EU RoHS legal scope)

China Rohs Regulation [China RoHS declaration](#)

Environmental Disclosure [Product Environmental Profile](#)

Weee The product must be disposed on European Union markets following specific waste collection and never end up in rubbish bins.

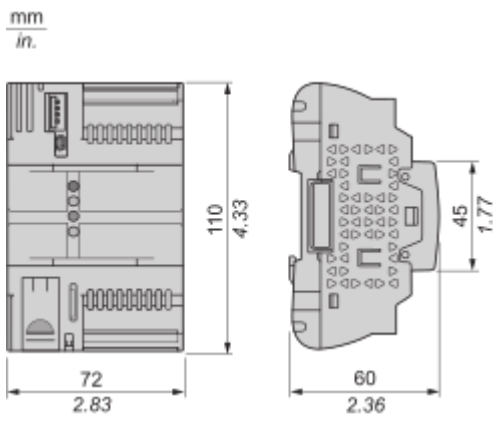
Circularity Profile [End of Life Information](#)

California Proposition 65 WARNING: This product can expose you to chemicals including: Lead and lead compounds, which is known to the State of California to cause cancer and birth defects or other reproductive harm. For more information go to www.P65Warnings.ca.gov

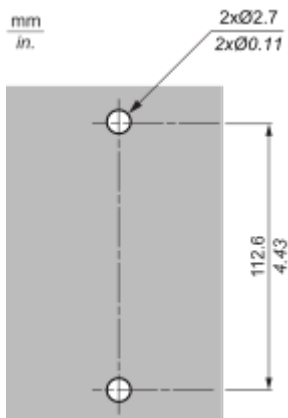
Dimensions Drawings

Dimensions Drawings

Dimension



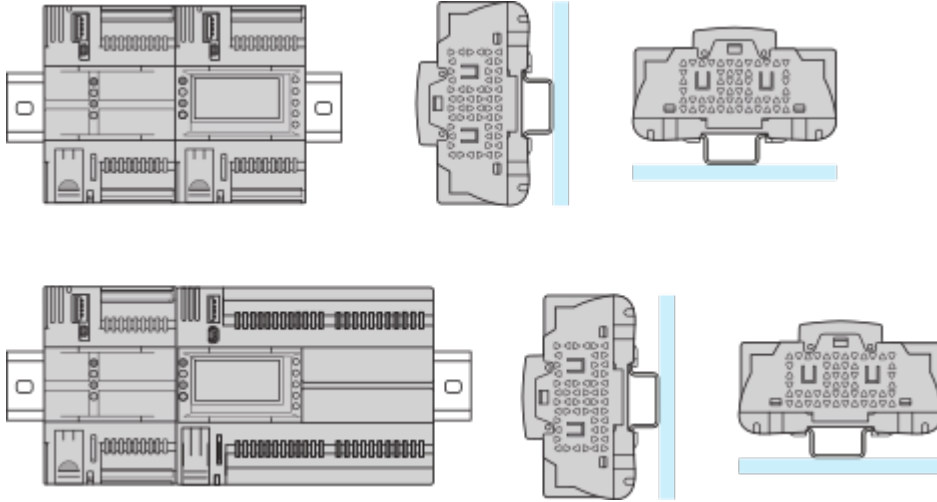
Mounting Holes Layout



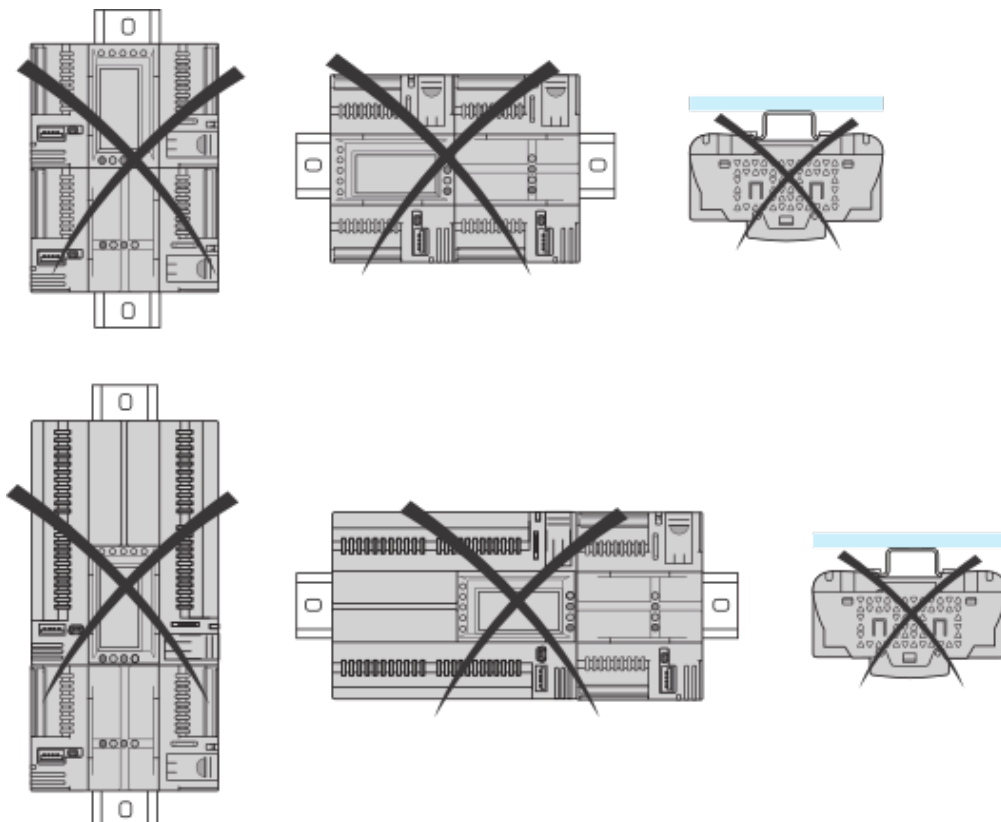
Mounting and Clearance

Mounting Positions

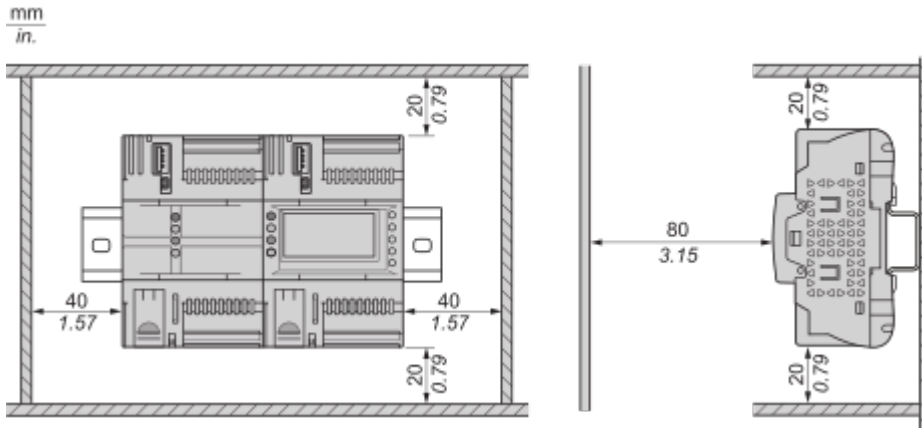
Correct Mounting Position



Incorrect Mounting Position



Clearance



Connections and Schema

Power Supply

