

# Product data sheet

Specifications



## M172 IloT Secure Interface Gateway

TM172SIG

**Product availability: Stock - Normally stocked in distribution facility**

**Price\*: 300.00 USD**

### Main

Range Of Product	Modicon M171/M172
Product Or Component Type	Communication module
Concept	Modbus
Communication Port Protocol	Modbus TCP/IP HTTPS FTPS NTP SMTPS SNMP v2 SNMP v3 MQTT over TLS

### Complementary

Power Consumption In W	8 W
Integrated Connection Type	2 Ethernet TCP/IP 2 x RJ45 in parallel - ethernet cable - embedded HTTPS server 1 USB (V2.0) port USB host port type A 1 USB (V2.0) port USB device port type mini-B RS485 1 removable 3-way screw connector - twisted shielded pairs cable
Transmission Rate	10/100/1000 Mbps for connecting Ethernet network 9600...115200 bauds RS485 link
Physical Interface	10 BASE-T/100 BASE-TX/1000 BASE-T - 10/100/1000 BASE-TX RS485
Memory Description	Internal RAM 256 MB Flash 512 MB
Supply	External power supply
Local Signalling	for power ON LED (green) for USER (programmable) LED (red) for USER (programmable) LED (yellow) for USER (programmable) LED (green)
Product Compatibility	Logic controller M172
Overvoltage Category	I
Width	4.33 in (110 mm)
Height	2.36 in (60 mm)
Depth	2.83 in (72 mm)
Net Weight	0.36 lb(US) (0.165 kg)

### Environment

Price is "List Price" and may be subject to a trade discount – check with your local distributor or retailer for actual price.

<b>Product Certifications</b>	cURus CSA EAC CE RCM UKCA
<b>Ip Degree Of Protection</b>	IP20
<b>Ambient Air Temperature For Operation</b>	-4...131 °F (-20...55 °C)
<b>Ambient Air Temperature For Storage</b>	-22...158 °F (-30...70 °C)
<b>Relative Humidity</b>	5...95 % non-condensing
<b>Pollution Degree</b>	2
<b>Shock Resistance</b>	1 g 11 ms

## Ordering and shipping details

<b>Category</b>	US1PC1222537
<b>Discount Schedule</b>	PC12
<b>Gtin</b>	3606482071117
<b>Returnability</b>	Yes
<b>Country Of Origin</b>	IT

## Packing Units

<b>Unit Type Of Package 1</b>	PCE
<b>Number Of Units In Package 1</b>	1
<b>Package 1 Height</b>	2.76 in (7.000 cm)
<b>Package 1 Width</b>	3.54 in (9.000 cm)
<b>Package 1 Length</b>	5.12 in (13.000 cm)
<b>Package 1 Weight</b>	7.48 oz (212.000 g)
<b>Unit Type Of Package 2</b>	S02
<b>Number Of Units In Package 2</b>	15
<b>Package 2 Height</b>	5.91 in (15.000 cm)
<b>Package 2 Width</b>	11.81 in (30.000 cm)
<b>Package 2 Length</b>	15.75 in (40.000 cm)
<b>Package 2 Weight</b>	7.63 lb(US) (3.460 kg)

## Sustainability

**Green Premium™ label** is Schneider Electric's commitment to delivering products with best-in-class environmental performance. Green Premium promises compliance with the latest regulations, transparency on environmental impacts, as well as circular and low-CO<sub>2</sub> products.

**Guide to assessing product sustainability** is a white paper that clarifies global eco-label standards and how to interpret environmental declarations.

[Learn more about Green Premium >](#)

[Guide to assess a product's sustainability >](#)



Transparency RoHS/REACH

## Well-being performance

Mercury Free

Rohs Exemption Information Yes

## Certifications & Standards

Reach Regulation [REACH Declaration](#)

Eu Rohs Directive Pro-active compliance (Product out of EU RoHS legal scope)

China Rohs Regulation [China RoHS declaration](#)

Environmental Disclosure [Product Environmental Profile](#)

Weee The product must be disposed on European Union markets following specific waste collection and never end up in rubbish bins.

Circularity Profile [End of Life Information](#)

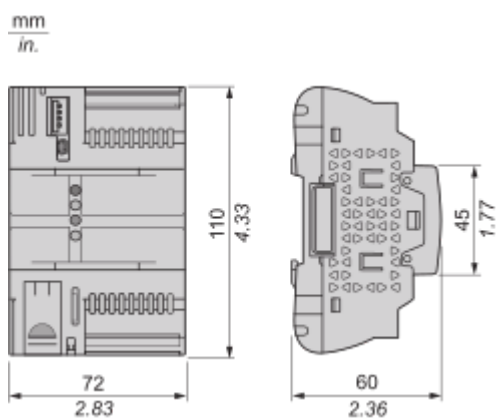
California Proposition 65 WARNING: This product can expose you to chemicals including: Lead and lead compounds, which is known to the State of California to cause cancer and birth defects or other reproductive harm. For more information go to [www.P65Warnings.ca.gov](http://www.P65Warnings.ca.gov)

Dimensions Drawings

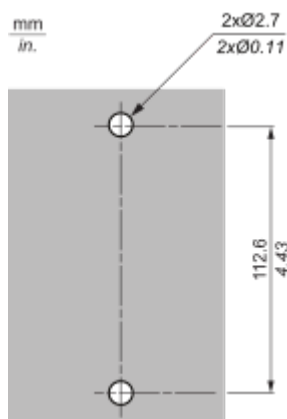
Dimensions Drawings

---

Dimension



Mounting Holes Layout

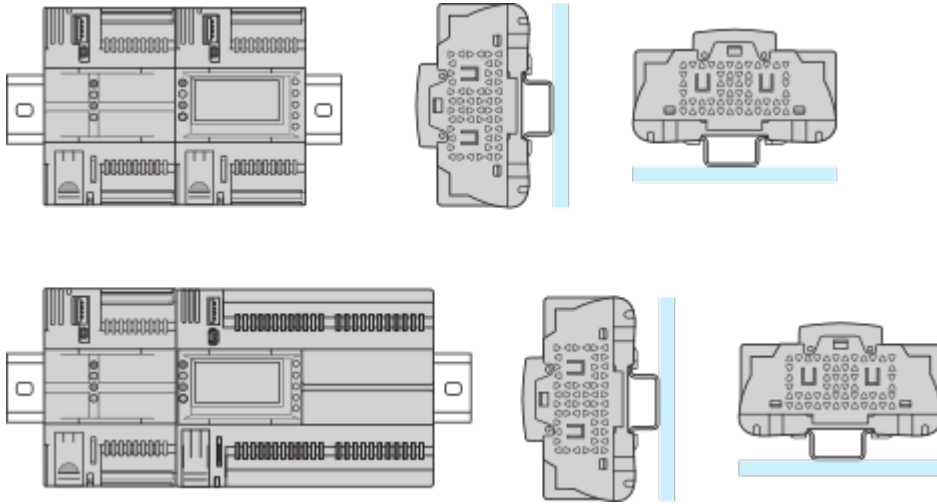


Mounting and Clearance

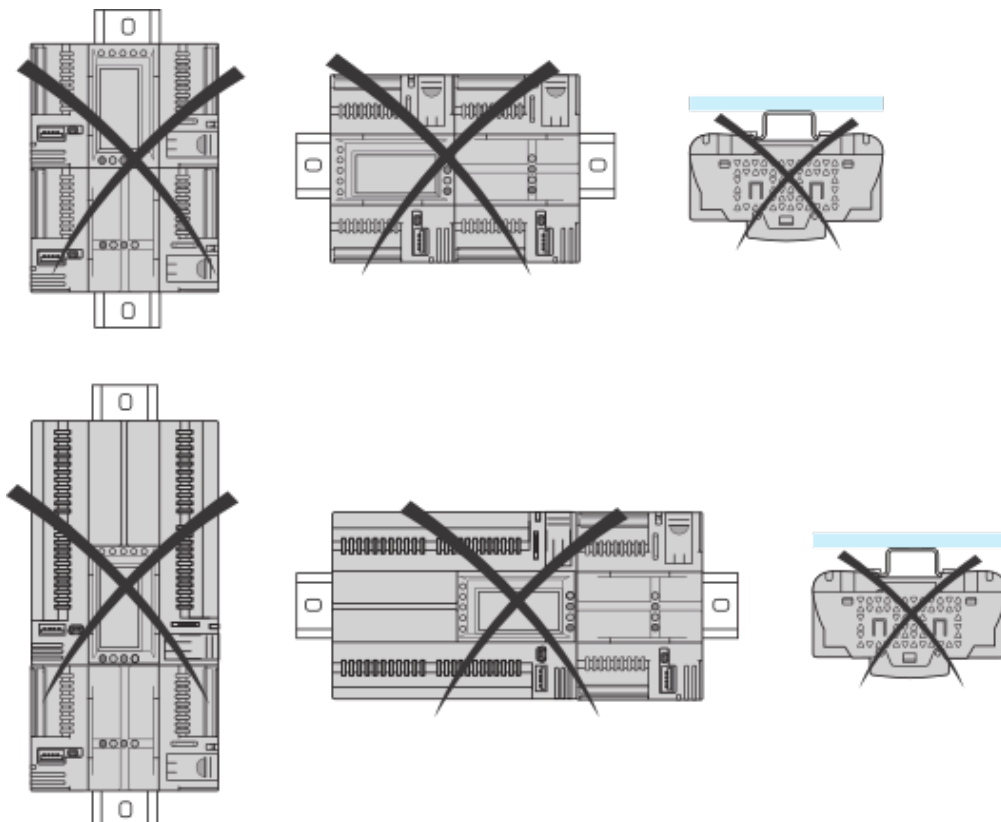
Mounting Positions

---

Correct Mounting Position

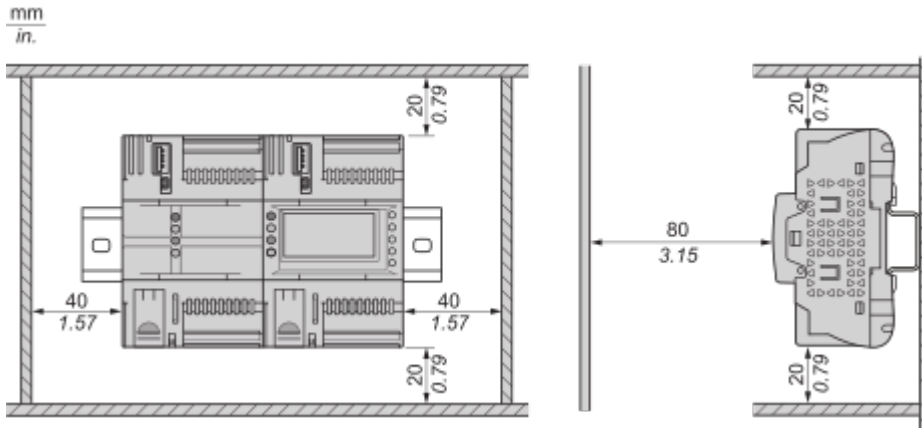


Incorrect Mounting Position



Clearance

---



Connections and Schema

Power Supply

