

Product data sheet

Specifications



Rotating beacon, Harmony XVR, 130mm, orange, without buzzer, 24V AC DC

XVR13B05L

Product availability: Non-Stock - Not normally stocked in distribution facility

Price*: 172.50 USD

Main

Range Of Product	Harmony XVR
Product Or Component Type	Prewired rotating mirror beacon
Sound Signalling	Without
Device Short Name	XVR
Mounting Diamete	5.12 in (130 mm)
Ip Degree Of Protection	IP66 IEC 60529 IP67 IEC 60529
[Us] Rated Supply Voltage	24 V AC/DC
Light Source	High luminosity LED, orange

Complementary

Material	ABS (acrylonitrile butadiene-styrene): body part PC: globe
Cad Overall Width	5.12 in (130 mm)
Cad Overall Depth	5.12 in (130 mm)
Net Weight	1.81 lb(US) (0.82 kg)
Marking	CE
Product Mounting	By 3 M6 screws
[Uimp] Rated Impulse Withstand Voltage	0.8 kV
Current Consumption	125 mA
Flashing Frequency	2.7 Hz
Clamping Connection Capacity	1.25 mm ²
Awg Gauge	AWG 18
Cable Length	15.75 in (400 mm)

Environment

Standards	EN/IEC 61000-6-2 EN/IEC 61000-6-4
Protective Treatment	TC
Ambient Air Temperature For Storage	-31...158 °F (-35...70 °C)
Ambient Air Temperature For Operation	-22...122 °F (-30...50 °C)

Price is "List Price" and may be subject to a trade discount – check with your local distributor or retailer for actual price.

Electrical Shock Protection Class Class II IEC 61140

Ordering and shipping details

Category	US100XV22617
Discount Schedule	00XV
Gtin	3389119045292
Returnability	No
Country Of Origin	ID

Packing Units

Unit Type Of Package 1	PCE
Number Of Units In Package 1	1
Package 1 Height	10.63 in (27.000 cm)
Package 1 Width	7.36 in (18.700 cm)
Package 1 Length	7.36 in (18.700 cm)
Package 1 Weight	2.52 lb(US) (1.142 kg)
Unit Type Of Package 2	S04
Number Of Units In Package 2	6
Package 2 Height	11.81 in (30.000 cm)
Package 2 Width	15.75 in (40.000 cm)
Package 2 Length	23.62 in (60.000 cm)
Package 2 Weight	17.92 lb(US) (8.128 kg)
Unit Type Of Package 3	P06
Number Of Units In Package 3	24
Package 3 Height	29.53 in (75.000 cm)
Package 3 Width	23.62 in (60.000 cm)
Package 3 Length	31.50 in (80.000 cm)
Package 3 Weight	89.09 lb(US) (40.412 kg)

Contractual warranty

Warranty	18 months
----------	-----------

Sustainability

Green Premium™ label is Schneider Electric's commitment to delivering products with best-in-class environmental performance. Green Premium promises compliance with the latest regulations, transparency on environmental impacts, as well as circular and low-CO₂ products.

Guide to assessing product sustainability is a white paper that clarifies global eco-label standards and how to interpret environmental declarations.


[Learn more about Green Premium >](#)

[Guide to assess a product's sustainability >](#)



Transparency RoHS/REACH

Well-being performance

 **Rohs Exemption Information** Yes

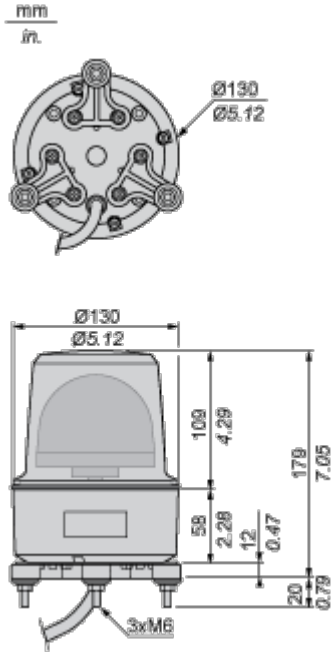
Certifications & Standards

Reach Regulation	REACH Declaration
Eu Rohs Directive	Pro-active compliance (Product out of EU RoHS legal scope)
China Rohs Regulation	China RoHS declaration
Environmental Disclosure	Product Environmental Profile
Circularity Profile	End of Life Information
California Proposition 65	WARNING: This product can expose you to chemicals including: Lead and lead compounds, which is known to the State of California to cause cancer and birth defects or other reproductive harm. For more information go to www.P65Warnings.ca.gov

Dimensions Drawings

Rotating Mirror Beacon

Dimensions



Mounting and Clearance

Rotating Mirror Beacon

Panel Cut-out

