

Product data sheet

Specifications



Biometric switch monostable,
Harmony XB5S, plastic, 22mm,
connection by 2m cable, 24V AC DC

XB5S2B2L2

Product availability: Stock - Normally stocked in distribution facility

Price*: 493.00 USD

Main

Product Or Component Type	Biometric switch
Product Specific Application	Industrial machines Materials handling
Device Short Name	XB5S
Bezel Material	Dark grey plastic
Mounting Diamete	0.87 in (22 mm)
Output Type	PNP
Sale Per Indivisible Quantity	1
Ip Degree Of Protection	IP20 EN/IEC 60529 rear face) IP65 EN/IEC 60529 front face)
Type Of Operator	Momentary
Operator Profile	fingerprint reader
Connections - Terminals	1 pre-wired cable, 3 x 0.34 mm ²
Memory Usage	200 users with up to 2 fingerprints per user

Complementary

Enclosure Material	Polyamide PA66
Cable Insulation Material	PvR
Operating Position	Flat surface installation Horizontal position Vertical surface installation
Function Of Module	Monostable
Net Weight	0.37 lb(US) (0.17 kg)
Marking	CE
Local Signalling	for output state indicator 1 LED (green) for administrator's registration mode 1 LED (orange) for operator's registration mode 1 LED (orange) for error 1 LED (red) for reset 1 LED (red)
Short-Circuit Protection	250 mA external fuse gG
[Us] Rated Supply Voltage	24 V DC
Electrical Connection	free wire ends 3 6.56 ft (2 m)
Supply Voltage Limits	20...30 V DC

Price is "List Price" and may be subject to a trade discount – check with your local distributor or retailer for actual price.

Protection Type	Overload protection Short-circuit Reverse polarity
Maximum Switching Current	200 mA
[Ures] Residual Voltage	1 V closed state
Current Consumption	<= 70 mA no-load
Maximum Delay First Up	3 s + 0.5 ms per user registered
Maximum Delay Recovery	1.5 s
Maximum Delay Response	1.5 s

Environment

Range Of Product	Harmony XB5S
Ambient Air Temperature For Storage	-13...158 °F (-25...70 °C)
Ambient Air Temperature For Operation	23...122 °F (-5...50 °C)
Nema Degree Of Protection	NEMA 12
Standards	IEC 61000-6-4 IEC 61000-6-2
Product Certifications	UL CSA
Vibration Resistance	+/- 3 mm 5...9 Hz)IEC 60068-2-6 1 gn 9...500 Hz)IEC 60068-2-6
Shock Resistance	50 gn 11 ms IEC 60068-2-27

Ordering and shipping details

Category	US1000I22471
Discount Schedule	000I
Gtin	3606480061417
Returnability	Yes
Country Of Origin	FR

Packing Units

Unit Type Of Package 1	PCE
Number Of Units In Package 1	1
Package 1 Height	2.68 in (6.8 cm)
Package 1 Width	3.74 in (9.5 cm)
Package 1 Length	7.28 in (18.5 cm)
Package 1 Weight	7.09 oz (201.0 g)
Unit Type Of Package 2	S03
Number Of Units In Package 2	24
Package 2 Height	11.81 in (30.0 cm)
Package 2 Width	11.81 in (30.0 cm)
Package 2 Length	15.75 in (40.0 cm)
Package 2 Weight	11.70 lb(US) (5.306 kg)

Contractual warranty

Warranty

18 months

Sustainability

Green Premium™ label is Schneider Electric's commitment to delivering products with best-in-class environmental performance. Green Premium promises compliance with the latest regulations, transparency on environmental impacts, as well as circular and low-CO₂ products.

Guide to assessing product sustainability is a white paper that clarifies global eco-label standards and how to interpret environmental declarations.

[Learn more about Green Premium >](#)

[Guide to assess a product's sustainability >](#)



Transparency

Well-being performance

✓ Mercury Free

✓ Rohs Exemption Information [Yes](#)

Reach Regulation [REACH Declaration](#)

Eu Rohs Directive Pro-active compliance (Product out of EU RoHS legal scope)

China Rohs Regulation [China RoHS declaration](#)

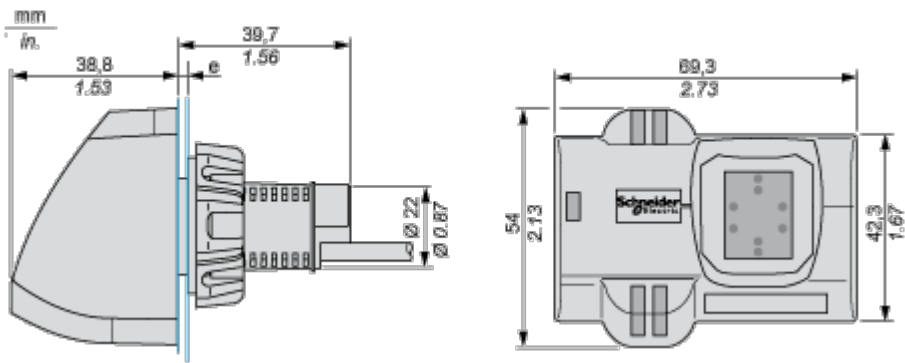
Environmental Disclosure [Product Environmental Profile](#)

Weee The product must be disposed on European Union markets following specific waste collection and never end up in rubbish bins.

California Proposition 65 WARNING: This product can expose you to chemicals including: Lead and lead compounds, which is known to the State of California to cause cancer and birth defects or other reproductive harm. For more information go to www.P65Warnings.ca.gov

Dimensions Drawings

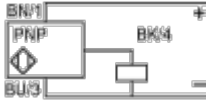
Dimensions of Biometric Switches



e: 1 to 6 mm / 0.04 to 0.24 in.

Connections and Schema

Cable with PNP Output



BU: Blue

BN: Brown

BK: Black