

Product datasheet

Specifications



sheet of 108 clip-in legends - for HARMONY relay - set of 10

RXZL420

Main

Range Of Product	Harmony Electromechanical Relays
Accessory / Separate Part Category	Marking accessory
Product Or Component Type	Legend
Sale Per Indivisible Quantity	10

Complementary

Product Compatibility	Socket RXZ with connector
Net Weight	0.001 kg

Packing Units

Unit Type Of Package 1	PCE
Number Of Units In Package 1	1
Package 1 Height	0.200 cm
Package 1 Width	1.500 cm
Package 1 Length	2.500 cm
Package 1 Weight	2.000 g
Unit Type Of Package 2	BB1
Number Of Units In Package 2	10
Package 2 Height	1.000 cm
Package 2 Width	4.000 cm
Package 2 Length	6.500 cm
Package 2 Weight	10.000 g
Unit Type Of Package 3	S01
Number Of Units In Package 3	3000
Package 3 Height	15.000 cm
Package 3 Width	15.000 cm
Package 3 Length	40.000 cm
Package 3 Weight	3.137 kg

Contractual warranty

Warranty	18 months
----------	-----------

Sustainability

Green Premium™ label is Schneider Electric's commitment to delivering products with best-in-class environmental performance. Green Premium promises compliance with the latest regulations, transparency on environmental impacts, as well as circular and low-CO₂ products.

Guide to assessing product sustainability is a white paper that clarifies global eco-label standards and how to interpret environmental declarations.

[Learn more about Green Premium >](#)

[Guide to assess a product's sustainability >](#)



Transparency RoHS/REACH

Well-being performance

Reach Free Of Svhc

Toxic Heavy Metal Free

Mercury Free

Rohs Exemption Information Yes

Certifications & Standards

Reach Regulation

[REACH Declaration](#)

Eu Rohs Directive

Pro-active compliance (Product out of EU RoHS legal scope)

[EU RoHS Declaration](#)

China Rohs Regulation

[China RoHS declaration](#)

Environmental Disclosure

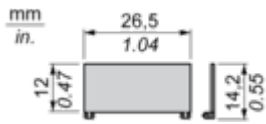
[Product Environmental Profile](#)

Circularity Profile

No need of specific recycling operations

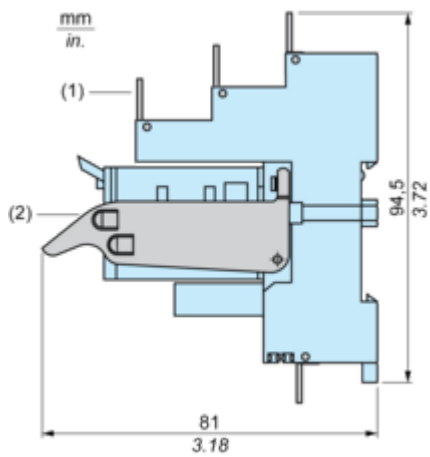
Dimensions Drawings

Dimensions



Mounting and Clearance

Mounting on All Sockets (1)



(1) Clip-in legends for all sockets except RXZE2M114

(2) Plastic clamp