

# Product data sheet

Specifications

SQUARE D



30mm Push Button, Types K or SK, empty push button enclosure, cast aluminium, one 30 mm hole, NEMA 4 and 13

9001KY1

Product availability: Stock - Normally stocked in distribution facility

Price\*: 143.00 USD

## Main

Range Of Product	Harmony 9001K Harmony 9001SK
Product Or Component Type	Empty enclosure
Device Short Name	9001K
Number Of Cut-Out	1 cut-out
Cable Entry	1 entry tapped for 3/4" cable gland

## Complementary

Product Destination	For Ø 30 mm control and signalling units
Material	Aluminium
Net Weight	2.58 lb(US) (1.17 kg)

## Environment

Protective Treatment	TH
Ambient Air Temperature For Storage	-40...158 °F (-40...70 °C)
Ambient Air Temperature For Operation	-13...158 °F (-25...70 °C)
Overvoltage Category	II IEC 61140
Nema Degree Of Protection	NEMA 1 NEMA 12 NEMA 13 NEMA 3 NEMA 4 NEMA 6

## Ordering and shipping details

Category	US10CS121426
Discount Schedule	OCS1
Gtin	785901874423
Returnability	Yes
Country Of Origin	US

## Packing Units

Price is "List Price" and may be subject to a trade discount – check with your local distributor or retailer for actual price.

<b>Unit Type Of Package 1</b>	PCE
<b>Number Of Units In Package 1</b>	1
<b>Package 1 Height</b>	4.00 in (10.16 cm)
<b>Package 1 Width</b>	4.20 in (10.668 cm)
<b>Package 1 Length</b>	4.50 in (11.43 cm)
<b>Package 1 Weight</b>	2.60 lb(US) (1.179 kg)
<b>Unit Type Of Package 2</b>	S03
<b>Number Of Units In Package 2</b>	12
<b>Package 2 Height</b>	11.81 in (30.0 cm)
<b>Package 2 Width</b>	11.81 in (30.0 cm)
<b>Package 2 Length</b>	15.75 in (40.0 cm)
<b>Package 2 Weight</b>	32.97 lb(US) (14.957 kg)
<b>Unit Type Of Package 3</b>	PAL
<b>Number Of Units In Package 3</b>	264
<b>Package 3 Height</b>	40.00 in (101.6 cm)
<b>Package 3 Width</b>	40.00 in (101.6 cm)
<b>Package 3 Length</b>	48.00 in (121.92 cm)
<b>Package 3 Weight</b>	705.00 lb(US) (319.782 kg)

## Contractual warranty

<b>Warranty</b>	18 months
-----------------	-----------

## Sustainability

**Green Premium™ label** is Schneider Electric's commitment to delivering products with best-in-class environmental performance. Green Premium promises compliance with the latest regulations, transparency on environmental impacts, as well as circular and low-CO<sub>2</sub> products.

**Guide to assessing product sustainability** is a white paper that clarifies global eco-label standards and how to interpret environmental declarations.

[Learn more about Green Premium >](#)

[Guide to assess a product's sustainability >](#)

## Well-being performance

✓ Reach Free Of Svhc

---

✓ Toxic Heavy Metal Free

---

✓ Mercury Free

---

✓ Rohs Exemption Information Yes

---

**Reach Regulation** [REACH Declaration](#)

---

**Eu Rohs Directive** Pro-active compliance (Product out of EU RoHS legal scope)  
[EU RoHS Declaration](#)

---

**China Rohs Regulation** [China RoHS declaration](#)

---

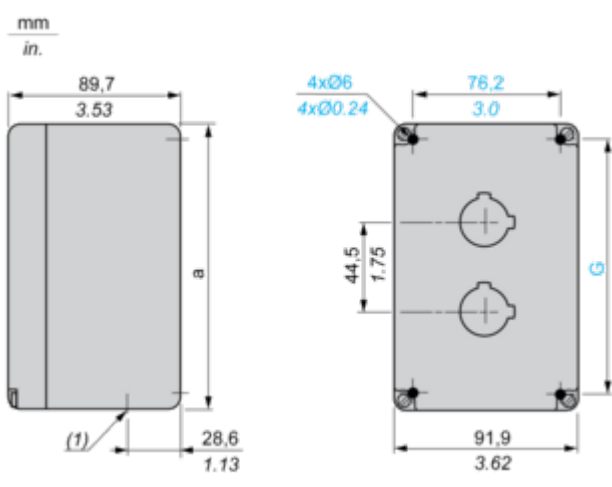
**California Proposition 65** WARNING: This product can expose you to chemicals including: Nickel compounds, which is known to the State of California to cause cancer, and Di-isodecyl phthalate (DIDP), which is known to the State of California to cause birth defects or other reproductive harm. For more information go to [www.P65Warnings.ca.gov](http://www.P65Warnings.ca.gov)

---

Dimensions Drawings

Dimensions

Below drawing shows a 2-hole enclosure. Refer to the product characteristics to get the number of holes.



(1) Conduit thread: 9001 KY•: 3/4". 9001 TY•: 14 mm / 0.55 in.

a		G	
mm	in.	mm	in.
101.6	4.00	69.9	2.75