

Product data sheet

Specifications



EMC radio interference input filter - for variable speed drive

VW3A4416

**Product availability: Non-Stock - Not normally stocked in
distribution facility**

Price*: 134.40 USD

Main

Range Of Product	Altivar
Product Or Component Type	EMC input filter
Range Compatibility	Altivar 12
Product Compatibility	ATV12H018F1 ATV12H018M2 ATV12H037F1 ATV12H037M2 ATV12H055M2 ATV12H075M2 ATV12P037F1 ATV12P037M2 ATV12P055M2 ATV12P075M2
Product Specific Application	Radio interference input filter

Complementary

Net Weight	2.47 lb(US) (1.12 kg)
------------	-----------------------

Environment

Standards	Environment 1 category C2 IEC 61800-3 Environment 1 category C3 IEC 61800-3 Environment 2 category C3 IEC 61800-3
-----------	---

Ordering and shipping details

Category	US1CP4B22042
Discount Schedule	CP4B
Gtin	3606480075773
Returnability	No
Country Of Origin	HU

Packing Units

Unit Type Of Package 1	PCE
Number Of Units In Package 1	1
Package 1 Height	3.54 in (9.000 cm)
Package 1 Width	7.48 in (19.000 cm)
Package 1 Length	15.16 in (38.500 cm)
Package 1 Weight	2.44 lb(US) (1.108 kg)

Price is "List Price" and may be subject to a trade discount – check with your local distributor or retailer for actual price.

Unit Type Of Package 2	P06
Number Of Units In Package 2	24
Package 2 Height	29.53 in (75.000 cm)
Package 2 Width	23.62 in (60.000 cm)
Package 2 Length	31.50 in (80.000 cm)
Package 2 Weight	71.65 lb(US) (32.500 kg)

Contractual warranty

Warranty	18 months
-----------------	-----------

Sustainability

Green Premium™ label is Schneider Electric's commitment to delivering products with best-in-class environmental performance. Green Premium promises compliance with the latest regulations, transparency on environmental impacts, as well as circular and low-CO₂ products.

Guide to assessing product sustainability is a white paper that clarifies global eco-label standards and how to interpret environmental declarations.

[Learn more about Green Premium >](#)

[Guide to assess a product's sustainability >](#)

Well-being performance

✓ Reach Free Of Svhc

✓ Toxic Heavy Metal Free

✓ Mercury Free

✓ Rohs Exemption Information Yes

Reach Regulation [REACH Declaration](#)

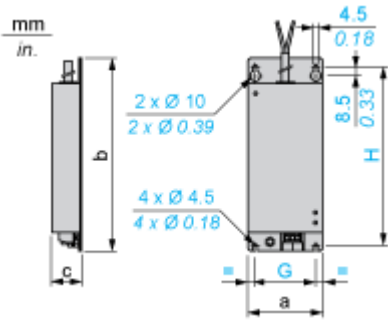
Eu Rohs Directive Pro-active compliance (Product out of EU RoHS legal scope)
[EU RoHS Declaration](#)

China Rohs Regulation [China RoHS declaration](#)

California Proposition 65 WARNING: This product can expose you to chemicals including: Lead and lead compounds, which is known to the State of California to cause cancer and birth defects or other reproductive harm. For more information go to www.P65Warnings.ca.gov

Dimensions Drawings

Dimensions



Dimensions in mm

a	b	c	G	H
75	194	30	61	180

Dimensions in in.

a	b	c	G	H
2.95	7.64	1.18	2.40	7.09