



SENTRON Powercenter 3000 Power Management System for SENTRON and SIRIUS devices acquisition, archiving, and visualization of measured values, status information and messages web server in 10 languages optional data transmission to other Cloud platforms such as Insights Hub, AWS, AZURE ... supports energy management e.g. ISO 50001, 50003, 50006 and energy audits e.g. DIN 16247 commissioning with SENTRON powerconfig or autonomously in the web UI

Model	
product brand name	SENTRON
design of the housing	Built-in unit
General technical data	
operating system pre-installed	Linux
storage capacity of the main memory or RAM maximum	2 Gabyte
type of memory	DDR4
storage capacity on hard disk	32 Gbyte
number of interfaces according to USB	2
Supply voltage	
supply voltage at DC rated value	
• minimum	20.4 V
• maximum	28.8 V
type of voltage of the supply voltage	DC
Protection class	
protection class IP	IP40
protection class IP on the front	IP20
Suitability	
suitability for use	PAC1600, PAC2200, PAC3100, PAC3120, PAC3200, PAC3200T, PAC3220, PAC4200, 3VA COM100, 3VA COM800, 3WL COM35, 3WL COM16, Modbus Device
• safety-related function	No
Product details	
product component hard disk drive	Yes
Communication	
number of interfaces according to Industrial Ethernet	2
protocol is supported	
• MODBUS protocol	Yes
• other protocols	Yes
Number	
number of supported devices	32
Mechanical Design	
height	85 mm
width	85 mm
depth	41 mm
fastening method rail mounting	Yes
net weight	0.35 kg
Environmental conditions	
type of coating protection against pollution according to EN 60664-3	
•	Yes

•	Protection of type 1
<b>relative humidity with condensation according to IEC 60068-2-38</b> <ul style="list-style-type: none"> <li>• maximum</li> <li>•</li> </ul>	98 % RH incl. bedewing / frost (no commissioning in bedewed state), horizontal mounting position
shock acceleration during operation according to EN 60068-2-27	150 m/s <sup>2</sup> , 11 ms
ambient temperature during operation <ul style="list-style-type: none"> <li>• minimum</li> <li>• maximum</li> </ul>	0 °C 55 °C
ambient temperature during storage and transport <ul style="list-style-type: none"> <li>• minimum</li> <li>• maximum</li> </ul>	-20 °C 70 °C
<ul style="list-style-type: none"> <li>• resistance to biologically active substances conformity according to EN 60721-3-3</li> <li>• resistance to biologically active substances conformity according to EN 60721-3-3</li> <li>• resistance to chemically active substances conformity according to EN 60721-3-3</li> <li>—</li> <li>—</li> <li>• resistance to mechanically active substances conformity according to EN 60721-3-3</li> <li>—</li> <li>—</li> <li>•</li> <li>— resistance to biologically active substances conformity according to EN 60721-3-6</li> <li>— resistance to chemically active substances conformity according to EN 60721-3-6</li> <li>• resistance to mechanically active substances conformity according to EN 60721-3-6</li> <li>—</li> <li>—</li> </ul>	Yes  Class 3B2 mold and fungal spores (except fauna);  Yes Class 3C4 (RH < 75 %) incl. salt spray in accordance with EN 60068-2-52 (severity 3); *  Yes Class 3S4 incl. sand, dust; *  Yes Class 6C3 (RH < 75 %) incl. salt spray in accordance with EN 60068-2-52 (severity 3); *  Yes Class 6S3 incl. sand, dust; *

**Certificates**

reference code according to IEC 81346-2	K
---	---

**Approvals Certificates**

<b>General Product Approval</b>	<b>other</b>
---------------------------------	--------------



[Confirmation](#)



[Miscellaneous](#)

[Confirmation](#)

<b>other</b>	<b>Dangerous goods</b>	<b>Environment</b>
--------------	------------------------	--------------------

[Miscellaneous](#)

[Dangerous goods information](#)

[Environmental Confirmations](#)

**Further information**

**Information on the packaging**

<https://support.industry.siemens.com/cs/ww/en/view/109813875>

**Information- and Downloadcenter (Catalogs, Brochures,...)**

<http://www.siemens.com/lowvoltage/catalogs>

**Industry Mall (Online ordering system)**

<https://mall.industry.siemens.com/mall/en/en/Catalog/product?mlfb=7KN1310-0MC00-0AA8>

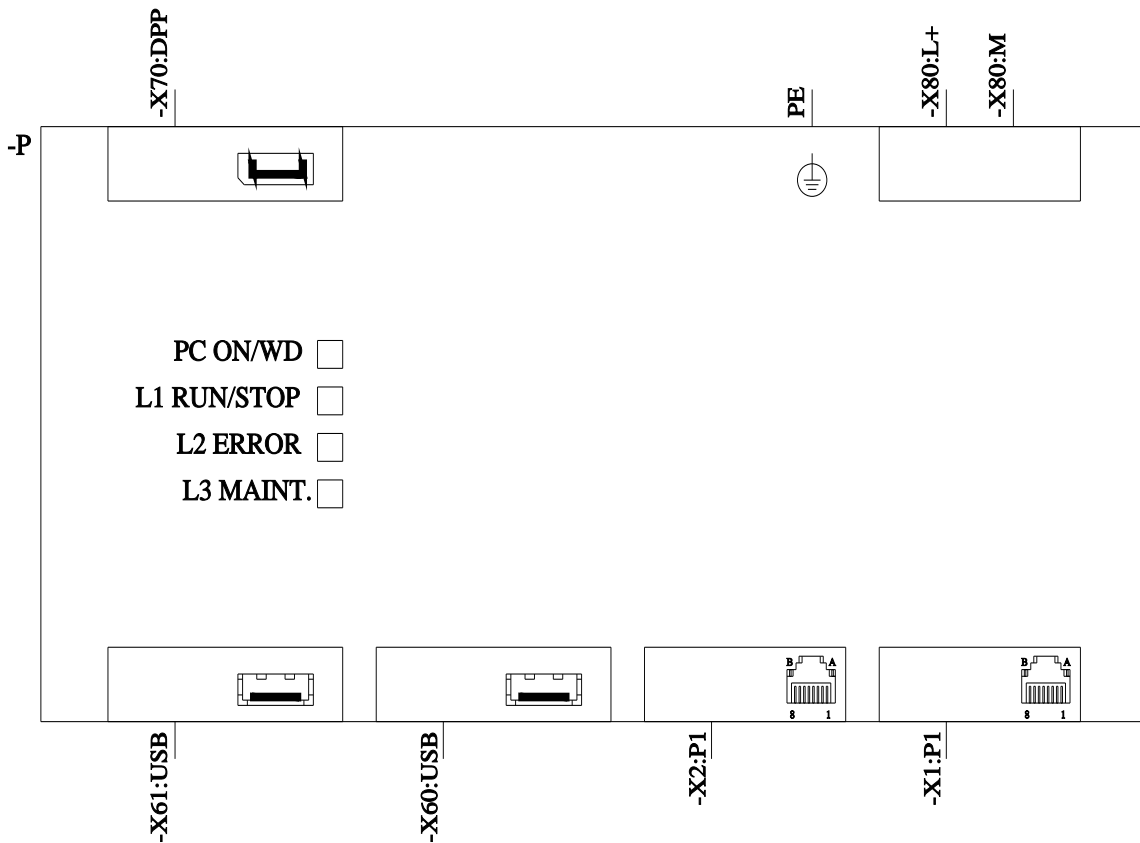
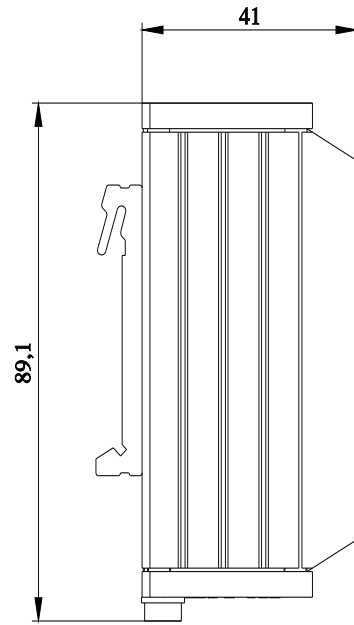
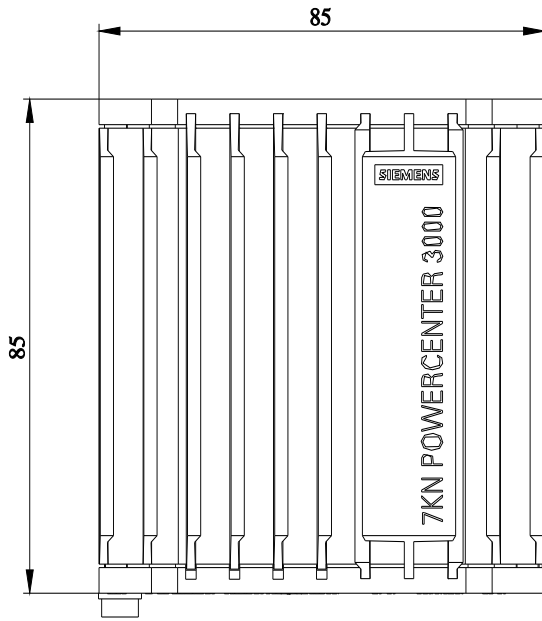
**Service&Support (Manuals, Certificates, Characteristics, FAQs,...)**

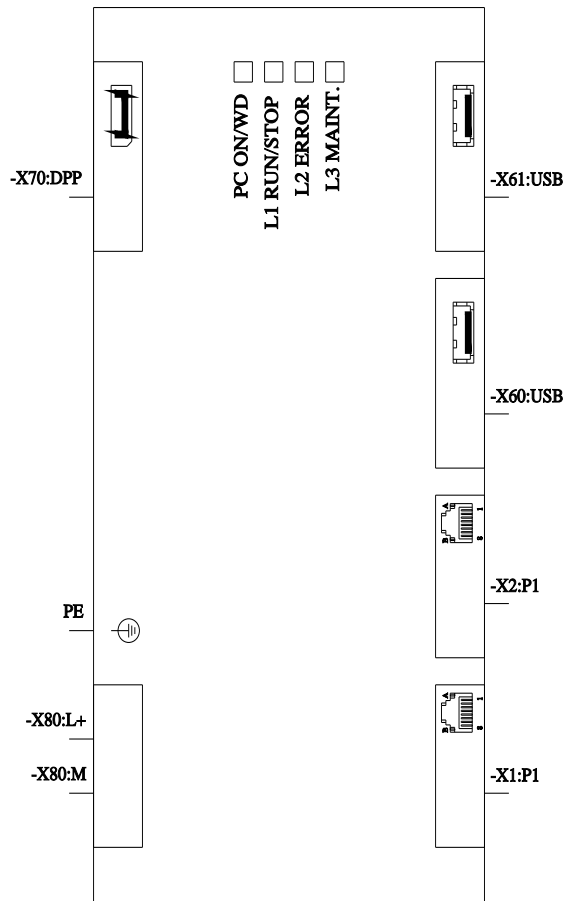
<https://support.industry.siemens.com/cs/ww/en/ps/7KN1310-0MC00-0AA8>

**Image database (product images, 2D dimension drawings, 3D models, device circuit diagrams, ...)**

[http://www.automation.siemens.com/bilddb/cax\\_en.aspx?mlfb=7KN1310-0MC00-0AA8](http://www.automation.siemens.com/bilddb/cax_en.aspx?mlfb=7KN1310-0MC00-0AA8)

**CAX-Online-Generator**





last modified:

3/20/2024 

