



circuit breaker 3VA1 IEC Frame 160 breaking capacity class H Icu=70 kA @ 415 V
3-pole, line protection TM240, ATAM, In=20 A overload protection Ir=14 A...20 A
short-circuit protection Ii=8...16 x In terminal connection

| Model | |
|---|-----------------------------|
| product brand name | SENTRON |
| product designation | Molded case circuit breaker |
| design of the product | Line protection |
| design of the overcurrent release | TM240 |
| protection function of the overcurrent release | LI |
| number of poles | 3 |
| General technical data | |
| insulation voltage / rated value | 800 V |
| operating voltage / at DC / rated value | 500 V |
| operating voltage / at AC / rated value | 690 V |
| power loss [W] / maximum | 12 W |
| mechanical service life (operating cycles) / typical | 20 000 |
| electrical endurance (operating cycles) / at AC-1 / at 380/415 V | 9 000 |
| electrical endurance (operating cycles) / at AC-1 / at 690 V | 6 300 |
| product feature / for neutral conductors / upgradable/retrofitable / short-circuit and overload proof | No |
| ground-fault monitoring version | Without |
| product function | |
| • communication function | No |
| • other measurement function | No |
| Net Weight | 1.022 kg |
| Current | |
| operational current | |
| • at 40 °C | 20 A |
| • at 45 °C | 20 A |
| • at 50 °C | 20 A |
| • at 55 °C | 20 A |
| • at 60 °C | 19 A |
| • at 65 °C | 19 A |
| • at 70 °C | 19 A |
| Switching capacity according to IEC 60947 | |
| switching capacity class of the circuit breaker | H |
| maximum short-circuit current breaking capacity (Icu) | |
| • at 240 V | 100 kA |
| • at 415 V | 70 kA |
| • at 440 V | 55 kA |
| • at 500 V | 10 kA |
| • at 690 V | 10 kA |
| operating short-circuit current breaking capacity (Ics) | |

| | |
|---|--|
| <ul style="list-style-type: none"> • at 240 V • at 415 V • at 440 V • at 500 V • at 690 V | 100 kA 70 kA 40 kA 5 kA 5 kA |
| short-circuit current making capacity (I _{cm}) <ul style="list-style-type: none"> • at 240 V • at 415 V • at 440 V • at 500 V • at 690 V | 220 kA 154 kA 121 kA 17 kA 17 kA |
| design of short-circuit protection | For switching power values in DC networks, see the 3VA molded case circuit breaker device manual; link to be found under Service & Support in the last chapter |

Adjustable parameters

| | |
|--|----------------|
| product feature / for L-tripping / can be switched on/off | No |
| adjustable response value setting current (I _r) / of the L-trip / with I _{2t} characteristic <ul style="list-style-type: none"> • minimum • maximum | 14 A 20 A |
| adjustable response value delay time (t _r) / for L-tripping / with I _{2t} characteristic <ul style="list-style-type: none"> • minimum • maximum | 1 s 1 s |
| adjustable response value setting current (I _l) / for I-tripping <ul style="list-style-type: none"> • minimum • maximum | 160 A 320 A |
| adjustable setting current (I _{nN}) / for N-tripping <ul style="list-style-type: none"> • minimum • maximum | 0 A 0 A |
| product function / grounding protection | No |

Mechanical Design

| | |
|---|---------------------------------|
| product component <ul style="list-style-type: none"> • undervoltage release • voltage trigger • trip indicator | No No No |
| height [in] | 5.12 in |
| height | 130 mm |
| width [in] | 3 in |
| type of connectable conductor cross-sections / of the round conductor terminal / stranded | 1 x (1,5 - 70 mm ²) |
| width | 76.2 mm |
| depth [in] | 2.76 in |
| depth | 70 mm |

Connections

| | |
|---|----------------------------|
| arrangement of electrical connectors / for main current circuit | Front terminal |
| type of electrical connection / for main current circuit | box terminal on both sides |
| design of the surface / of the connections / on the top of the switch (N, 1, 3, 5) | Silver |
| design of the surface / of the connections / on the bottom of the switch (N, 2, 4, 6) | Tin |

Auxiliary circuit

| | |
|--|---|
| number of CO contacts / for auxiliary contacts | 0 |
|--|---|

Accessories

| | |
|--|-----|
| product extension / optional / motor drive | Yes |
|--|-----|

Environmental conditions

| | |
|--|------------------------------------|
| protection class IP / on the front | IP40 |
| ambient temperature <ul style="list-style-type: none"> • during operation / minimum • during operation / maximum • during storage / minimum • during storage / maximum | -25 °C 70 °C -40 °C 80 °C |

Environmental footprint

| | |
|--|-----------|
| Environmental Product Declaration(EPD) | Yes |
| Global Warming Potential [CO2 eq] / total | 190 kg |
| Global Warming Potential [CO2 eq] / during manufacturing | 4.67 kg |
| Global Warming Potential [CO2 eq] / during operation | 186 kg |
| Global Warming Potential [CO2 eq] / after end of life | -0.826 kg |
| reference code / according to IEC 81346-2 | Q |

Approvals / Certificates

General Product Approval



[Confirmation](#)



[Miscellaneous](#)

General Product Approval **EMV** **Test Certificates** **Marine / Shipping**



[Miscellaneous](#)

[Type Test Certificates/Test Report](#)

[Special Test Certificate](#)



Marine / Shipping **other**



[CCS \(China Classification Society\)](#)

[Confirmation](#)

other **Environment**

[Miscellaneous](#)

[Miscellaneous](#)

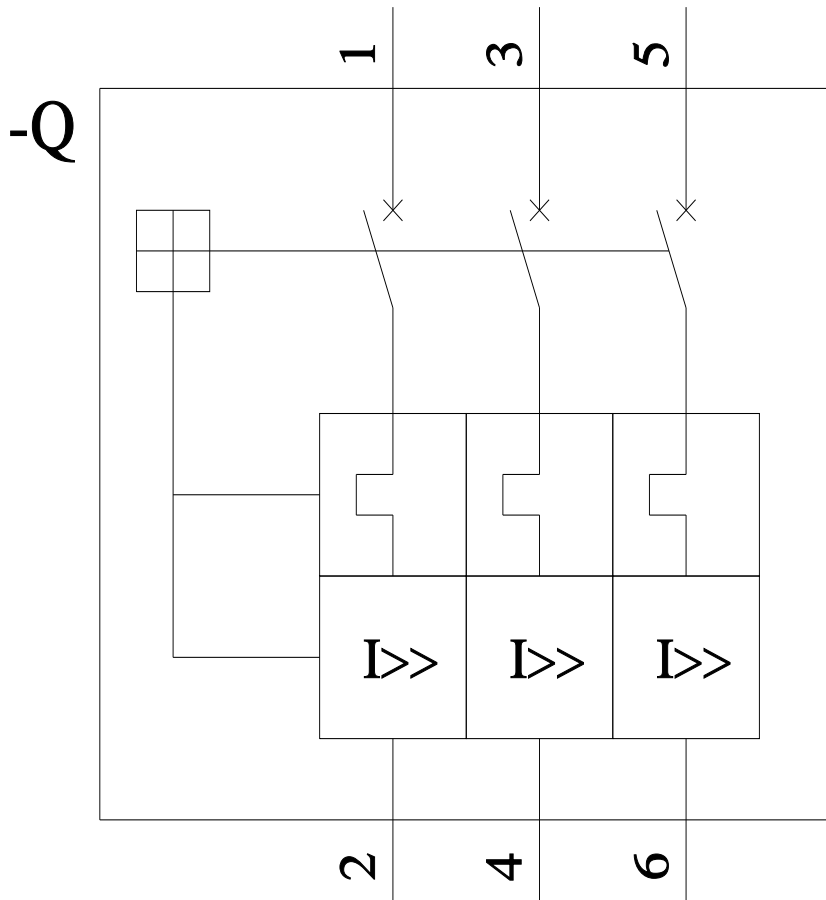
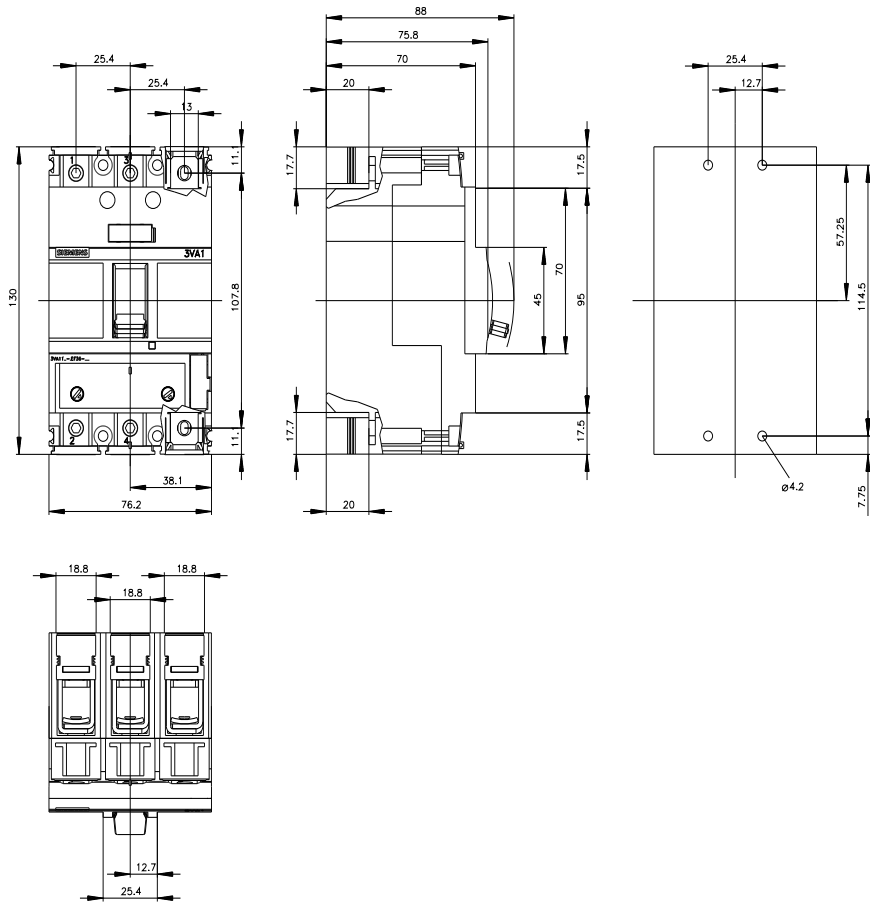


[Environmental Confirmations](#)

[Environmental Confirmations](#)

Further information

- Information on the packaging
<https://support.industry.siemens.com/cs/ww/en/view/109813875>
- Information- and Downloadcenter (Catalogs, Brochures,...)
<http://www.siemens.com/lowvoltage/catalogs>
- Industry Mall (Online ordering system)
<https://mall.industry.siemens.com/mall/en/en/Catalog/product?mlfb=3VA1120-6EF36-0AA0>
- Service&Support (Manuals, Certificates, Characteristics, FAQs,...)
<https://support.industry.siemens.com/cs/ww/en/ps/3VA1120-6EF36-0AA0>
- Image database (product images, 2D dimension drawings, 3D models, device circuit diagrams, ...)
http://www.automation.siemens.com/bilddb/cax_en.aspx?mlfb=3VA1120-6EF36-0AA0
- CAX-Online-Generator
<http://www.siemens.com/cax>
- Tender specifications
<http://www.siemens.com/specifications>



last modified:

3/11/2024

