



Illuminated pushbutton, 30 mm, round, metal, matte, red, front ring for flush installation, momentary contact type

| | |
|--|----------------------------------|
| product brand name | SIRIUS ACT |
| product designation | Illuminated pushbuttons |
| design of the product | Actuating/signaling element |
| product type designation | 3SU1 |
| product line | Metal, matt, flat, 30 mm |
| Enclosure | |
| number of command points | 1 |
| Actuator | |
| design of the actuating element | Flat button |
| principle of operation of the actuating element | momentary contact type |
| product extension optional | |
| • light source | Yes |
| • contact module | Yes |
| color of the actuating element | red |
| material of the actuating element | plastic |
| shape of the actuating element | round |
| outer diameter of the actuating element | 38 mm |
| Front ring | |
| product component front ring | Yes |
| design of the front ring | Flat |
| material of the front ring | Metal, matt |
| color of the front ring | sand gray |
| General technical data | |
| protection class IP | IP66, IP67, IP69(IP69K) |
| degree of protection NEMA rating | 1, 2, 3, 3R, 4, 4X, 12, 13 |
| shock resistance | |
| • according to IEC 60068-2-27 | sinusoidal half-wave 15g / 11 ms |
| • for railway applications according to EN 61373 | Category 1, Class B |
| vibration resistance | |
| • according to IEC 60068-2-6 | 10 ... 500 Hz: 5g |
| • for railway applications according to EN 61373 | Category 1, Class B |
| operating frequency maximum | 3 600 1/h |
| mechanical service life (operating cycles) typical | 3 000 000 |
| reference code according to IEC 81346-2 | S |
| Substance Prohibitance (Date) | 10/01/2014 |
| Weight | 65 g |
| Ambient conditions | |
| ambient temperature | |
| • during operation | -25 ... +70 °C |
| • during storage | -40 ... +80 °C |

| | |
|--|--|
| environmental category during operation according to IEC 60721 | 3M6, 3S2, 3B2, 3C3, 3K6 (with relative air humidity of 10 ... 95%) |
|--|--|

| Installation/ mounting/ dimensions | |
|---|---------|
| height | 38 mm |
| width | 38 mm |
| shape of the installation opening | round |
| mounting diameter | 30.5 mm |
| positive tolerance of installation diameter | 0.5 mm |
| mounting height | 4.2 mm |
| installation width | 38 mm |
| installation depth | 31.1 mm |

| Approvals Certificates | |
|--------------------------|-------------------|
| General Product Approval | Test Certificates |



[Confirmation](#)



[Special Test Certificate](#)

| Test Certificates | other | Environment |
|-------------------|-------|-------------|
|-------------------|-------|-------------|

[Type Test Certificates/Test Report](#)

[Confirmation](#)

[Environmental Confirmations](#)

Further information

Information on the packaging

<https://support.industry.siemens.com/cs/ww/en/view/109813875>

Information- and Downloadcenter (Catalogs, Brochures,...)

<https://www.siemens.com/ic10>

Industry Mall (Online ordering system)

<https://mall.industry.siemens.com/mall/en/en/Catalog/product?mlfb=3SU1061-0JB20-0AA0>

Cax online generator

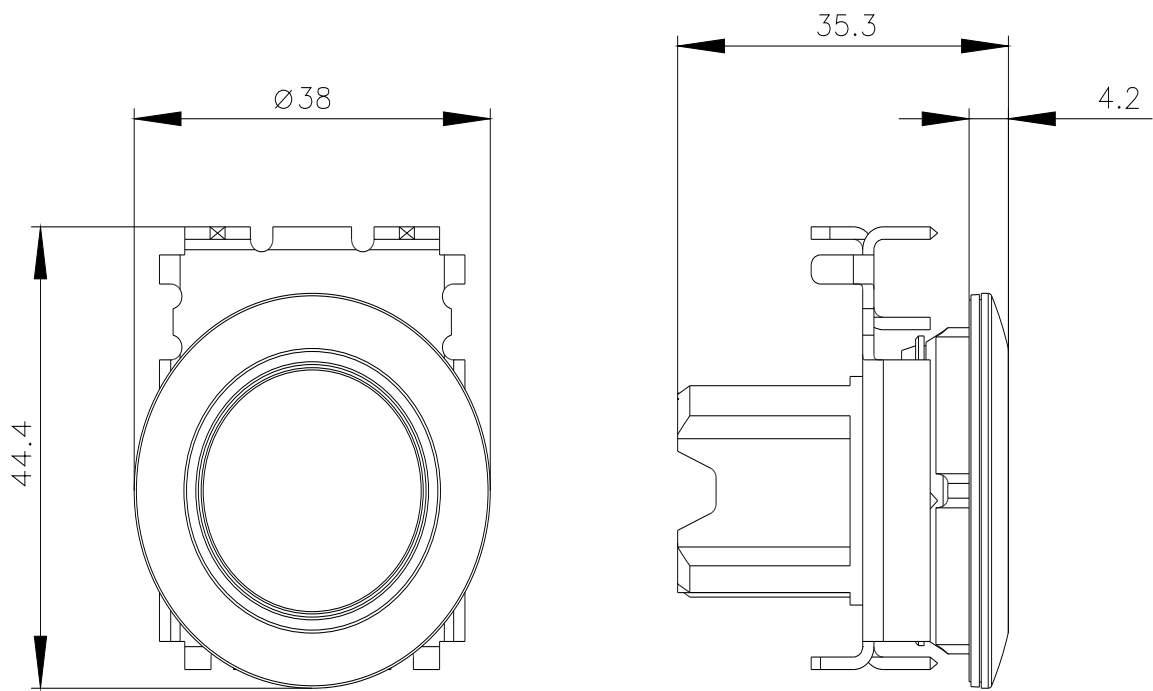
<http://support.automation.siemens.com/WW/CAXorder/default.aspx?lang=en&mlfb=3SU1061-0JB20-0AA0>

Service&Support (Manuals, Certificates, Characteristics, FAQs,...)

<https://support.industry.siemens.com/cs/ww/en/ps/3SU1061-0JB20-0AA0>

Image database (product images, 2D dimension drawings, 3D models, device circuit diagrams, EPLAN macros, ...)

http://www.automation.siemens.com/bilddb/cax_de.aspx?mlfb=3SU1061-0JB20-0AA0&lang=en



last modified:

1/26/2022 