



Pushbutton, 30 mm, round, metal, matte, blue, front ring for flush installation, momentary contact type

|  |                                  |
|--|----------------------------------|
| product brand name                                 | SIRIUS ACT                       |
| product designation                                | Pushbuttons                      |
| design of the product                              | Actuating/signaling element      |
| product type designation                           | 3SU1                             |
| product line                                       | Metal, matt, flat, 30 mm         |
| <b>Enclosure</b>                                   |                                  |
| number of command points                           | 1                                |
| <b>Actuator</b>                                    |                                  |
| design of the actuating element                    | Flat button                      |
| principle of operation of the actuating element    | momentary contact type           |
| product extension optional                         |                                  |
| • light source                                     | No                               |
| • contact module                                   | Yes                              |
| color of the actuating element                     | blue                             |
| material of the actuating element                  | plastic                          |
| shape of the actuating element                     | round                            |
| outer diameter of the actuating element            | 38 mm                            |
| <b>Front ring</b>                                  |                                  |
| product component front ring                       | Yes                              |
| design of the front ring                           | Flat                             |
| material of the front ring                         | Metal, matt                      |
| color of the front ring                            | sand gray                        |
| <b>General technical data</b>                      |                                  |
| protection class IP                                | IP66, IP67, IP69(IP69K)          |
| degree of protection NEMA rating                   | 1, 2, 3, 3R, 4, 4X, 12, 13       |
| shock resistance                                   |                                  |
| • according to IEC 60068-2-27                      | sinusoidal half-wave 15g / 11 ms |
| • for railway applications according to EN 61373   | Category 1, Class B              |
| vibration resistance                               |                                  |
| • according to IEC 60068-2-6                       | 10 ... 500 Hz: 5g                |
| • for railway applications according to EN 61373   | Category 1, Class B              |
| operating frequency maximum                        | 3 600 1/h                        |
| mechanical service life (operating cycles) typical | 10 000 000                       |
| reference code according to IEC 81346-2            | S                                |
| Substance Prohibitance (Date)                      | 10/01/2014                       |
| Weight   | 70 g                             |
| <b>Ambient conditions</b>                          |                                  |
| ambient temperature                                |                                  |
| • during operation                                 | -25 ... +70 °C                   |
| • during storage                                   | -40 ... +80 °C                   |

|  |  |
|--|--|
| environmental category during operation according to IEC 60721 | 3M6, 3S2, 3B2, 3C3, 3K6 (with relative air humidity of 10 ... 95%) |
|--|--|

| Installation/ mounting/ dimensions          |         |
|---|---------|
| height                                      | 38 mm   |
| width                                       | 38 mm   |
| shape of the installation opening           | round   |
| mounting diameter                           | 30.5 mm |
| positive tolerance of installation diameter | 0.5 mm  |
| mounting height                             | 4.2 mm  |
| installation width                          | 38 mm   |
| installation depth                          | 31.1 mm |

| Approvals Certificates   |                   |
|--------------------------|-------------------|
| General Product Approval | Test Certificates |



[Confirmation](#)



[Type Test Certificates/Test Report](#)

| Test Certificates | other | Environment |
|-------------------|-------|-------------|
|-------------------|-------|-------------|

[Special Test Certificate](#)

[Confirmation](#)

[Environmental Confirmations](#)

#### Further information

##### Information on the packaging

<https://support.industry.siemens.com/cs/ww/en/view/109813875>

##### Information- and Downloadcenter (Catalogs, Brochures,...)

<https://www.siemens.com/ic10>

##### Industry Mall (Online ordering system)

<https://mall.industry.siemens.com/mall/en/en/Catalog/product?mlfb=3SU1060-0JB50-0AA0>

##### Cax online generator

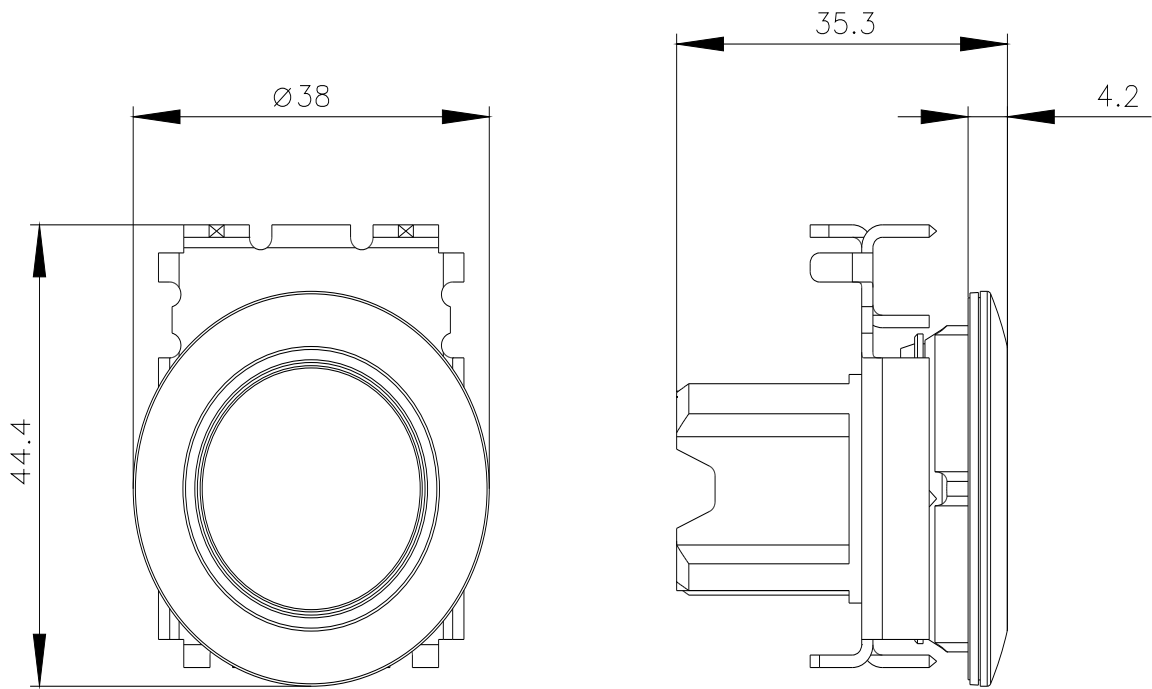
<http://support.automation.siemens.com/WW/CAXorder/default.aspx?lang=en&mlfb=3SU1060-0JB50-0AA0>

##### Service&Support (Manuals, Certificates, Characteristics, FAQs,...)

<https://support.industry.siemens.com/cs/ww/en/ps/3SU1060-0JB50-0AA0>

##### Image database (product images, 2D dimension drawings, 3D models, device circuit diagrams, EPLAN macros, ...)

[http://www.automation.siemens.com/bilddb/cax\\_de.aspx?mlfb=3SU1060-0JB50-0AA0&lang=en](http://www.automation.siemens.com/bilddb/cax_de.aspx?mlfb=3SU1060-0JB50-0AA0&lang=en)



last modified:

1/26/2022 