

Siemens  
EcoTech



ID key-operated switch, 22 mm, round, plastic, black, RFID, 4 switch positions O-I-II-III, operating angle 3x45°, without ID key, Key removal in O+I+II+III



product brand name	SIRIUS ACT
product designation	ID key-operated switches
design of the product	Actuating/signaling element
product type designation	3SU1
product line	Plastic, black, 22 mm
<b>Actuator</b>	
principle of operation of the actuating element	latching
product extension optional	
• light source	No
• contact module	No
color	
• of the actuating element	black
material of the actuating element	plastic
shape of the actuating element	round
outer diameter of the actuating element	29.5 mm
number of switching positions	4
switch position for key distraction	Key removal possible in all 4 positions
<b>Front ring</b>	
product component front ring	Yes
design of the front ring	Standard
material of the front ring	plastic
color of the front ring	black
<b>General technical data</b>	
protection class IP	IP65
mechanical service life (operating cycles) typical	100 000
reference code according to IEC 81346-2	S
Substance Prohibitance (Date)	10/01/2014
Weight	22 g
<b>Connections/ Terminals</b>	
tightening torque of the screws in the bracket	1 ... 1.2 N·m
<b>Ambient conditions</b>	
ambient temperature	
• during operation	-25 ... +70 °C
• during storage	-40 ... +80 °C
environmental category during operation according to IEC 60721	3M6, 3S2, 3B2, 3C3, 3K6 (with relative air humidity of 10 ... 95%)
<b>Environmental footprint</b>	

Environmental Product Declaration (EPD)	Yes
Global Warming Potential [CO2 eq] total	0.787 kg
Global Warming Potential [CO2 eq] during manufacturing	0.566 kg
Global Warming Potential [CO2 eq] during operation	0.235 kg
Global Warming Potential [CO2 eq] after end of life	-0.015 kg
Siemens Eco Profile (SEP)	Siemens EcoTech

#### Installation/ mounting/ dimensions

height	29.5 mm
width	29.5 mm
mounting diameter	22.3 mm
positive tolerance of installation diameter	0.4 mm
mounting height	29.6 mm
installation width	29.5 mm
installation depth	29.5 mm

#### Approvals Certificates

General Product Approval	Test Certificates
--------------------------	-------------------



[Confirmation](#)



[Special Test Certificate](#)

Test Certificates	other	Environment
-------------------	-------	-------------

[Type Test Certificates/Test Report](#)

[Confirmation](#)



Siemens EcoTech



[Environmental Confirmations](#)

#### Further information

##### Information on the packaging

<https://support.industry.siemens.com/cs/ww/en/view/109813875>

##### Information- and Downloadcenter (Catalogs, Brochures,...)

<https://www.siemens.com/ic10>

##### Industry Mall (Online ordering system)

<https://mall.industry.siemens.com/mall/en/en/Catalog/product?mlfb=3SU1000-4WS10-0AA0>

##### Cax online generator

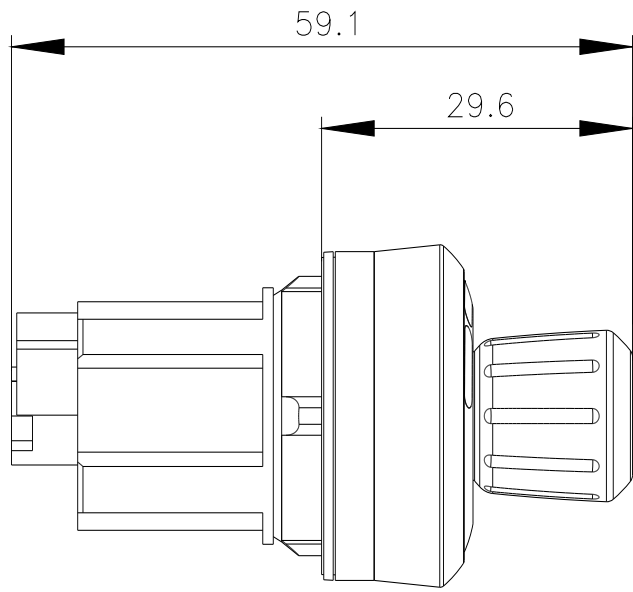
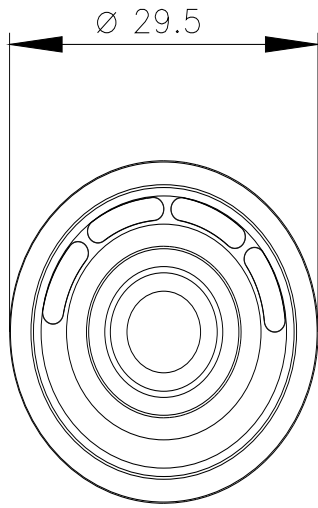
<http://support.automation.siemens.com/WW/CAXorder/default.aspx?lang=en&mlfb=3SU1000-4WS10-0AA0>

##### Service&Support (Manuals, Certificates, Characteristics, FAQs,...)

<https://support.industry.siemens.com/cs/ww/en/ps/3SU1000-4WS10-0AA0>

##### Image database (product images, 2D dimension drawings, 3D models, device circuit diagrams, EPLAN macros, ...)

[http://www.automation.siemens.com/bilddb/cax\\_de.aspx?mlfb=3SU1000-4WS10-0AA0&lang=en](http://www.automation.siemens.com/bilddb/cax_de.aspx?mlfb=3SU1000-4WS10-0AA0&lang=en)



---

last modified:

2/6/2024 