



reversing contactor assembly, AC-3e/AC-3, 65 A, 30 kW / 400 V, 3-pole, 230 V AC, 50/60 Hz, screw terminal, electrical and mechanical interlock, auxiliary contacts: 2 x 1 NO

| | |
|---|--|
| product brand name | SIRIUS |
| product designation | Reversing contactor assembly |
| product type designation | 3RA23 |
| manufacturer's article number | |
| <ul style="list-style-type: none"> • 1 of the supplied contactor • 2 of the supplied contactor • of the supplied RS assembly kit | 3RT2037-1AL20 3RT2037-1AL20 3RA2933-2AA1 |
| General technical data | |
| size of contactor | S2 |
| product extension auxiliary switch | Yes |
| shock resistance at rectangular impulse | |
| <ul style="list-style-type: none"> • at AC | 11.8g / 5 ms, 11.6g / 10 ms |
| shock resistance with sine pulse | |
| <ul style="list-style-type: none"> • at AC | 18.5g / 5 ms, 11.6g / 10 ms |
| mechanical service life (operating cycles) | |
| <ul style="list-style-type: none"> • of contactor typical • of the contactor with added auxiliary switch block typical | 10 000 000 10 000 000 |
| reference code according to IEC 81346-2 | Q |
| Substance Prohibition (Date) | 10/01/2014 |
| Weight | 2 kg |
| Ambient conditions | |
| installation altitude at height above sea level maximum | 2 000 m |
| ambient temperature | |
| <ul style="list-style-type: none"> • during operation • during storage | -25 ... +60 °C -55 ... +80 °C |
| Main circuit | |
| number of poles for main current circuit | 3 |
| number of NO contacts for main contacts | 3 |
| number of NC contacts for main contacts | 0 |
| operating voltage | |
| <ul style="list-style-type: none"> • at AC-3 rated value maximum • at AC-3e rated value maximum | 690 V 690 V |
| operational current | |
| <ul style="list-style-type: none"> • at AC-3 <ul style="list-style-type: none"> — at 400 V rated value — at 500 V rated value — at 690 V rated value • at AC-3e <ul style="list-style-type: none"> — at 400 V rated value — at 500 V rated value | 65 A 65 A 47 A 65 A 65 A |

| | |
|---|--|
| — at 690 V rated value | 47 A |
| operating power | |
| ● at AC-3 | |
| — at 400 V rated value | 30 kW |
| — at 500 V rated value | 37 kW |
| — at 690 V rated value | 37 kW |
| ● at AC-3e | |
| — at 400 V rated value | 30 kW |
| — at 690 V rated value | 37 kW |
| ● at AC-4 at 400 V rated value | 30 kW |
| operating frequency | |
| ● at AC-3 maximum | 700 1/h |
| ● at AC-3e maximum | 700 1/h |
| Control circuit/ Control | |
| type of voltage of the control supply voltage | AC |
| control supply voltage 1 at AC | |
| ● at 50 Hz rated value | 230 V |
| ● at 60 Hz rated value | 230 V |
| operating range factor control supply voltage rated value of magnet coil at AC | |
| ● at 50 Hz | 0.8 ... 1.1 |
| ● at 60 Hz | 0.85 ... 1.1 |
| apparent pick-up power of magnet coil at AC | |
| ● at 50 Hz | 210 VA |
| ● at 60 Hz | 188 VA |
| inductive power factor with closing power of the coil | |
| ● at 50 Hz | 0.69 |
| ● at 60 Hz | 0.65 |
| apparent holding power of magnet coil at AC | |
| ● at 50 Hz | 17.2 VA |
| ● at 60 Hz | 16.5 VA |
| inductive power factor with the holding power of the coil | |
| ● at 50 Hz | 0.36 |
| ● at 60 Hz | 0.39 |
| Auxiliary circuit | |
| number of NC contacts for auxiliary contacts | |
| ● per direction of rotation | 0 |
| number of NO contacts for auxiliary contacts | |
| ● per direction of rotation | 1 |
| ● instantaneous contact | 2 |
| contact reliability of auxiliary contacts | < 1 error per 100 million operating cycles |
| UL/CSA ratings | |
| full-load current (FLA) for 3-phase AC motor | |
| ● at 480 V rated value | 65 A |
| ● at 600 V rated value | 62 A |
| yielded mechanical performance [hp] for 3-phase AC motor | |
| ● at 220/230 V rated value | 20 hp |
| ● at 460/480 V rated value | 50 hp |
| ● at 575/600 V rated value | 50 hp |
| contact rating of auxiliary contacts according to UL | A600 / Q600 |
| Short-circuit protection | |
| design of the fuse link | |
| ● for short-circuit protection of the main circuit | |
| — with type of coordination 1 required | gG NH 3NA, DIAZED 5SB, NEOZED 5SE: 250 A |
| — with type of assignment 2 required | gG NH 3NA, DIAZED 5SB, NEOZED 5SE: 125 A |
| ● for short-circuit protection of the auxiliary switch required | fuse gG: 10 A |
| Installation/ mounting/ dimensions | |
| mounting position | +/-180° rotation possible on vertical mounting surface; can be tilted forward and backward by +/- 22.5° on vertical mounting surface |
| fastening method | screw and snap-on mounting onto 35 mm DIN rail |
| height | 141 mm |

| | |
|---|--------|
| width | 120 mm |
| depth | 130 mm |
| required spacing | |
| <ul style="list-style-type: none"> • with side-by-side mounting <ul style="list-style-type: none"> — forwards 10 mm — backwards 0 mm — upwards 10 mm — downwards 10 mm — at the side 10 mm • for grounded parts <ul style="list-style-type: none"> — forwards 10 mm — backwards 0 mm — upwards 10 mm — at the side 10 mm — downwards 10 mm • for live parts <ul style="list-style-type: none"> — forwards 10 mm — backwards 0 mm — upwards 10 mm — downwards 10 mm — at the side 10 mm | |

Connections/ Terminals

| | |
|---|--|
| type of electrical connection | |
| <ul style="list-style-type: none"> • for main current circuit screw-type terminals • for auxiliary and control circuit screw-type terminals • at contactor for auxiliary contacts Screw-type terminals • of magnet coil Screw-type terminals | |
| type of connectable conductor cross-sections for main contacts | |
| <ul style="list-style-type: none"> • solid 2x (1 ... 35 mm²), 1x (1 ... 50 mm²) • solid or stranded 2x (1 ... 35 mm²), 1x (1 ... 50 mm²) • finely stranded with core end processing 2x (1 ... 25 mm²), 1x (1 ... 35 mm²) | |
| type of connectable conductor cross-sections | |
| <ul style="list-style-type: none"> • for auxiliary contacts <ul style="list-style-type: none"> — solid or stranded 2x (0.5 ... 1.5 mm²), 2x (0.75 ... 2.5 mm²) — finely stranded with core end processing 2x (0.5 ... 1.5 mm²), 2x (0.75 ... 2.5 mm²) • for AWG cables for auxiliary contacts 2x (20 ... 16), 2x (18 ... 14) | |

Safety related data

| | |
|--|--|
| product function suitable for safety function | Yes |
| Electrical Safety | |
| protection class IP on the front according to IEC 60529 | IP20 |
| touch protection on the front according to IEC 60529 | finger-safe, for vertical contact from the front |

Communication/ Protocol

| | |
|---|-----|
| product function bus communication | Yes |
| protocol is supported AS-Interface protocol | No |
| product function control circuit interface with IO link | No |

Approvals Certificates

General Product Approval



[Confirmation](#)



Test Certificates Marine / Shipping

[Type Test Certificates/Test Report](#)




[Confirmation](#)
[Transport Information](#)
[Environmental Con-
firmations](#)

Further information

Information on the packaging

<https://support.industry.siemens.com/cs/ww/en/view/109813875>

Information- and Downloadcenter (Catalogs, Brochures,...)

<https://www.siemens.com/ic10>

Industry Mall (Online ordering system)

<https://mall.industry.siemens.com/mall/en/en/Catalog/product?mlfb=3RA2337-8XB30-1AL2>

Cax online generator

<http://support.automation.siemens.com/WW/CAXorder/default.aspx?lang=en&mlfb=3RA2337-8XB30-1AL2>

Service&Support (Manuals, Certificates, Characteristics, FAQs,...)

<https://support.industry.siemens.com/cs/ww/en/ps/3RA2337-8XB30-1AL2>

Image database (product images, 2D dimension drawings, 3D models, device circuit diagrams, EPLAN macros, ...)

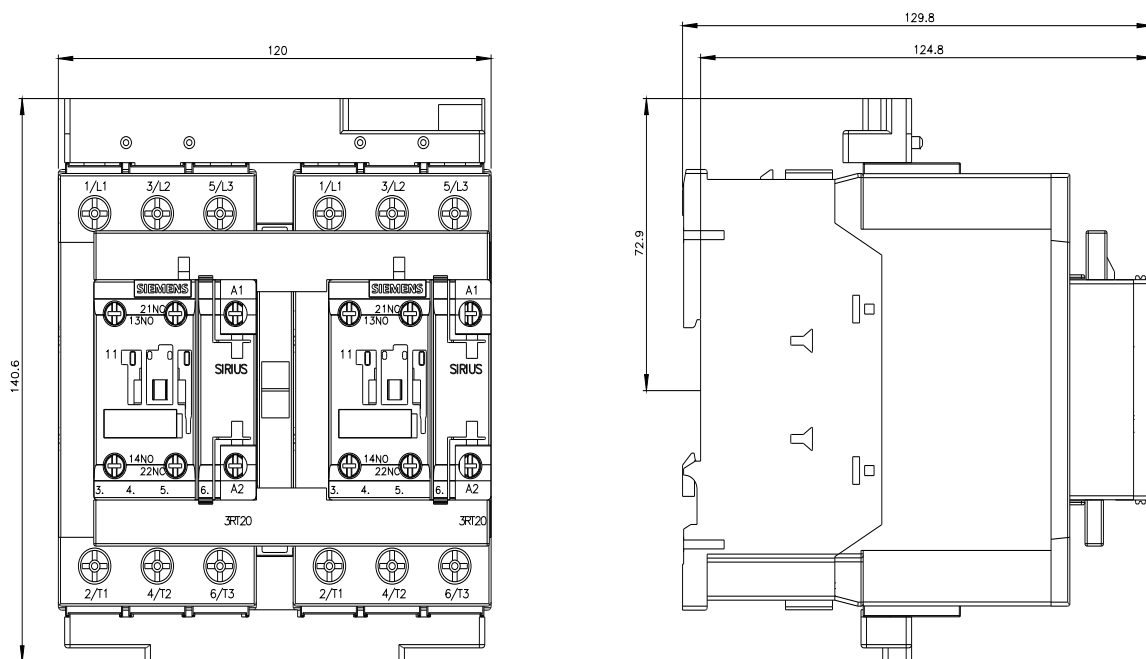
http://www.automation.siemens.com/bilddb/cax_de.aspx?mlfb=3RA2337-8XB30-1AL2&lang=en

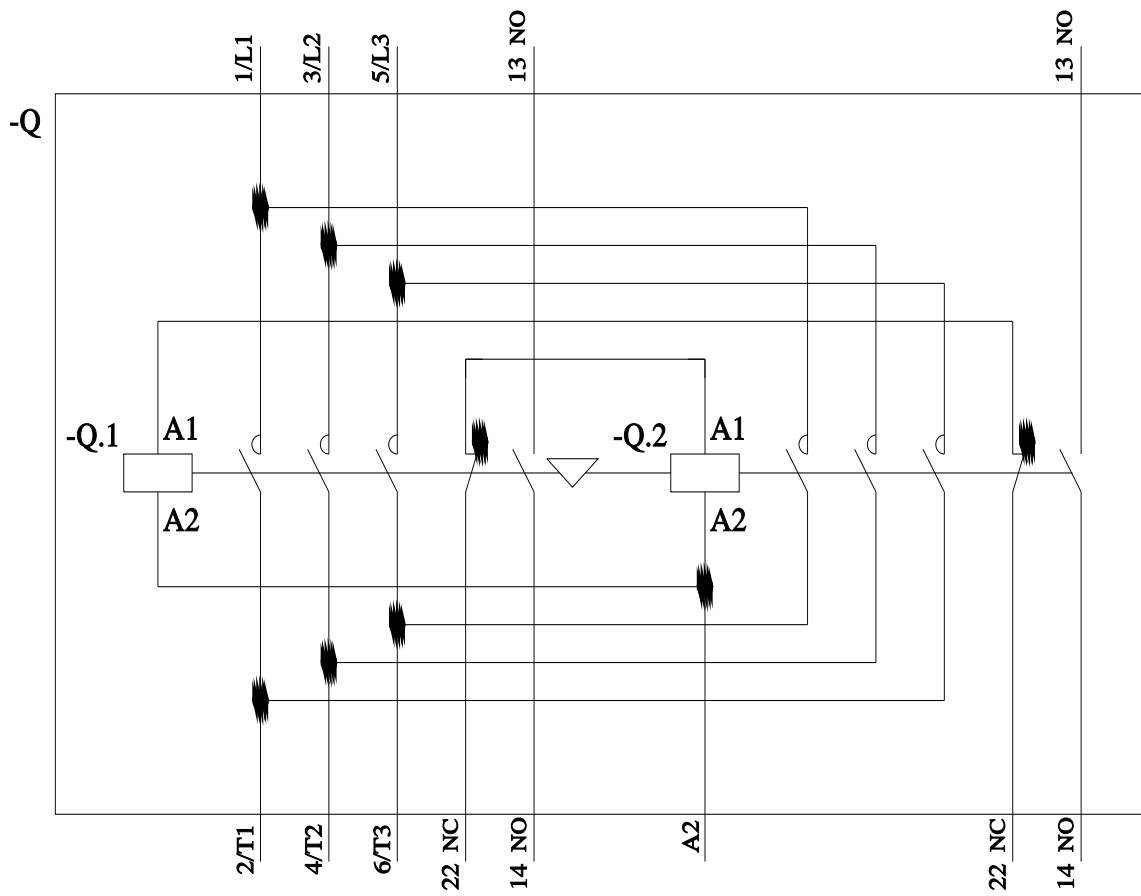
Characteristic: Tripping characteristics, I²t, Let-through current

<https://support.industry.siemens.com/cs/ww/en/ps/3RA2337-8XB30-1AL2/char>

Further characteristics (e.g. electrical endurance, switching frequency)

<http://www.automation.siemens.com/bilddb/index.aspx?view=Search&mlfb=3RA2337-8XB30-1AL2&objecttype=14&gridview=view1>





last modified:

7/9/2024 