



rotary operating mechanism, actuating lever black, for four-hole Front mounting, accessory for main and emergency switching-off switch 3LD2 for 63A - 125A and for molded case switch 3LD UL for 30A

Model		
product brand name	SENTRON	
product designation	Rotary operators	
design of the product	accessories for 3LD2 main and EMERGENCY-STOP switches	
degree of protection NEMA rating	1, 3R, 4X, 12	
suitability for use switch disconnecter	Yes	
suitability for use circuit breaker	No	
suitability for use EMERGENCY OFF switch	No	
color	black	
• of the actuating element	black	
• Product component with axis	No	
• product component restart inhibit function block	No	
• product component padlock locking mechanism	No	
• product component key lock	No	
accessories		
hasp thickness of the bracket locks	4 ... 8 mm	
Approvals Certificates		
General Product Approval	other	Environment

[Confirmation](#)



[Confirmation](#)

[Miscellaneous](#)

[Environmental Con-  
firmations](#)

[Environmental Con-  
firmations](#)

### Further information

Information on the packaging

<https://support.industry.siemens.com/cs/ww/en/view/109813875>

Information- and Downloadcenter (Catalogs, Brochures,...)

<http://www.siemens.com/lowvoltage/catalogs>

Industry Mall (Online ordering system)

<https://mall.industry.siemens.com/mall/en/en/Catalog/product?mlfb=3LD9284-1B>

Service&Support (Manuals, Certificates, Characteristics, FAQs,...)

<https://support.industry.siemens.com/cs/ww/en/ps/3LD9284-1B>

Image database (product images, 2D dimension drawings, 3D models, device circuit diagrams, ...)

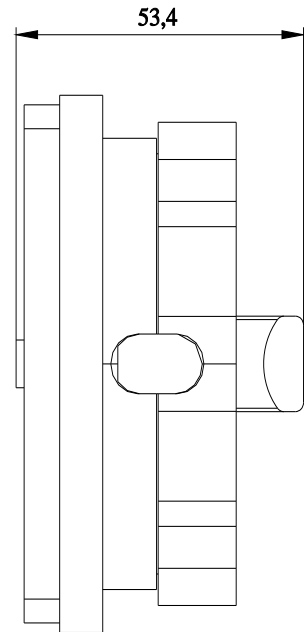
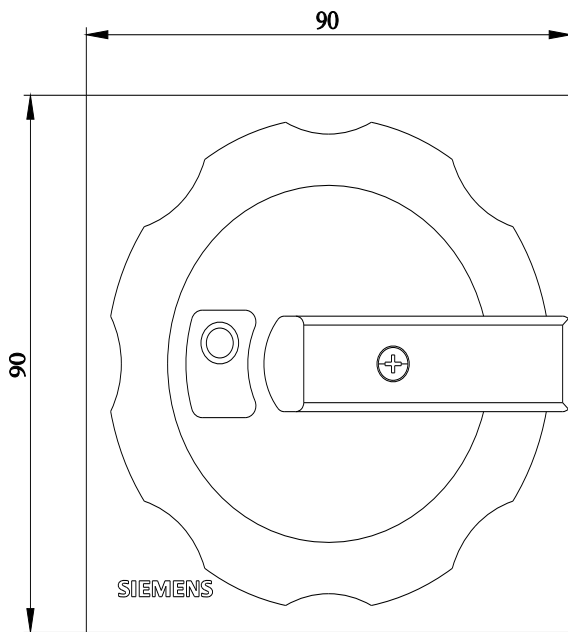
[http://www.automation.siemens.com/bilddb/cax\\_en.aspx?mlfb=3LD9284-1B](http://www.automation.siemens.com/bilddb/cax_en.aspx?mlfb=3LD9284-1B)

CAX-Online-Generator

<http://www.siemens.com/cax>

Tender specifications

<http://www.siemens.com/specifications>



---

last modified:

6/18/2023 

