



SENTRON, Switch disconnecter 3LD, emergency switching-off switch, 3- pole, Iu: 32 A, operating power / at AC-23 A 400 V: 11.5 kW, molded-plastic encapsulation for metric cable gland, rotary operating mechanism, red/yellow

| Model | |
|---|--|
| product brand name | SENTRON |
| product designation | Switch disconnecter |
| design of the product | EMERGENCY-STOP switch |
| display version for switch position indicator manual operation | 1 ON - 0 OFF |
| type of switch | Molded-plastic enclosure for metric threaded joint |
| design of the actuating element | Short rotary knob |
| color of the actuating element | red |
| design of handle | rotary operating mechanism, red/yellow |
| type of the driving mechanism motor drive | No |
| General technical data | |
| number of poles | 3 |
| number of poles note | N + PE |
| size of switch disconnecter | 2 |
| mechanical service life (operating cycles) typical | 100 000 |
| electrical endurance (operating cycles) | |
| • at AC-23 A at 690 V | 6 000 |
| operating frequency maximum | 50 1/h |
| degree of pollution | 3 |
| Voltage | |
| insulation voltage rated value | 690 V |
| surge voltage resistance rated value | 6 kV |
| operating voltage | |
| • at AC rated value | 690 V |
| operating frequency rated value | |
| • minimum | 50 Hz |
| • maximum | 60 Hz |
| Protection class | |
| protection class IP | IP65 |
| degree of protection NEMA rating | 1, 4X, 12 |
| protection class IP on the front | IP65 |
| Dissipation | |
| power loss [W] for rated value of the current at AC in hot operating state per pole | 1.8 W |
| Main circuit | |
| operational current | |
| • at AC-21 at 690 V rated value | 32 A |
| • at AC-21 A at 240 V rated value | 32 A |
| • at AC-21 A at 400 V rated value | 32 A |

| | |
|--|--|
| <ul style="list-style-type: none"> • at AC-21 A at 440 V rated value • at AC-23 A at 400 V rated value | 32 A 22 A |
| operating power | |
| <ul style="list-style-type: none"> • at AC-23 A at 240 V rated value • at AC-23 A at 400 V rated value • at AC-23 A at 440 V rated value • at AC-23 A at 690 V rated value • at AC-3 at 240 V rated value • at AC-3 at 400 V rated value • at AC-3 at 690 V rated value | 6 kW 12 kW 11.5 kW 12 kW 5.5 kW 10 kW 9.5 kW |
| Auxiliary circuit | |
| number of CO contacts for auxiliary contacts | 0 |
| number of NC contacts for auxiliary contacts | 0 |
| number of NO contacts for auxiliary contacts | 0 |
| operating voltage of auxiliary contacts at AC maximum | 500 V |
| continuous current of the auxiliary contact rated value | 10 A |
| insulation voltage of the auxiliary switch rated value | 500 V |
| Suitability | |
| suitability for use main switch | Yes |
| suitability for use switch disconnecter | Yes |
| suitability for use EMERGENCY OFF switch | Yes |
| suitability for use safety switch | Yes |
| suitability for use maintenance/repair switch | Yes |
| Product details | |
| product feature can be locked into OFF position | Yes |
| accessories | |
| product extension optional | |
| <ul style="list-style-type: none"> • motor drive • voltage trigger | No No |
| number of connectable NC contacts for auxiliary contacts attachable maximum | 3 |
| number of connectable NO contacts for auxiliary contacts attachable maximum | 5 |
| number of connectable CO contacts for auxiliary contacts attachable maximum | 0 |
| number of bracket locks maximum | 3 |
| hasp thickness of the bracket locks | 4 ... 8 mm |
| Short circuit | |
| conditional short-circuit current with line-side fuse protection | |
| <ul style="list-style-type: none"> • at 690 V by gG fuse rated value | 50 kA |
| let-through current with closed switch | |
| <ul style="list-style-type: none"> • at 240 V for combination switch + gG fuse maximum • at 440 V for combination switch + gG fuse maximum • at 690 V for combination switch + gG fuse maximum permissible | 4.5 kA 4.5 kA 5 kA |
| I²t value with closed switch | |
| <ul style="list-style-type: none"> • at 240 V for combination switch + gG fuse maximum • at 440 V for combination switch + gG fuse maximum • at 690 V for combination switch + gG fuse maximum | 9 kA ² .s 9 kA ² .s 9 kA ² .s |
| design of the fuse link | |
| <ul style="list-style-type: none"> • for short-circuit protection of the main circuit required • for short-circuit protection of the auxiliary switch required | fuse gL/gG: 40 A fuse gL/gG: 10 A |
| operational current of upstream fuse rated value | 40 A |
| according UL | |
| operational current at AC according to UL 508/UL 60947-4-1 rated value | 32 A |
| operating voltage at AC at 50/60 Hz according to UL 508/UL 60947-4-1 rated value | 600 V |
| active power [hp] at AC at 480 V according to UL 508/UL 60947-4-1 rated value | 20 |
| active power [hp] at AC at 600 V according to UL 508/UL 60947-4-1 rated value | 20 |

| | |
|---|------|
| short-time withstand current (SCCR) at 600 V according to UL 508/UL 60947-4-1 | 5 kA |
| continuous current of upstream fuse according to UL rated value | 80 A |
| type of fuse according to UL | RK5 |

Connections

| | |
|---|--|
| AWG number as coded connectable conductor cross section solid maximum | 8 14 |
| type of connectable conductor cross-sections for copper conductor | 1x (1,5...16mm ²) 1x (1,5...10mm ²) 1x (1,5...16mm ²) |
| type of connectable conductor cross-sections for auxiliary contacts | lateral auxiliary switch 2x (0,75 ... 2,5mm ²), 1x 4mm ² ; front auxiliary switch 1x (0,75 ... 2,5mm ²) lateral auxiliary switch 2x (0,75 ... 1,5mm ²), 1x 2,5mm ² ; front auxiliary switch 1x 2,5mm ² lateral auxiliary switch 2x (0,75 ... 2,5mm ²), 1x 4mm ² ; front auxiliary switch 1x (0,75 ... 2,5mm ²) |
| type of electrical connection | box terminal connection terminals |

Mechanical Design

| | |
|------------------|----------------------------|
| height | 152 mm |
| width | 100 mm |
| depth | 117 mm |
| type of device | fixed mounting |
| fastening method | Complete unit in enclosure |
| fastening method | No Yes No |
| net weight | 458 g |

Environmental conditions

| | |
|--------------------------------------|-----------------|
| ambient temperature during operation | -25 °C 55 °C |
| ambient temperature during storage | -25 °C 55 °C |

Approvals Certificates

General Product Approval



[Confirmation](#)



| | | | |
|--------------------------|-------------------|-------------------|-------|
| General Product Approval | Test Certificates | Marine / Shipping | other |
|--------------------------|-------------------|-------------------|-------|



[Miscellaneous](#)



[Miscellaneous](#)



[Confirmation](#)

| | |
|-------|-------------|
| other | Environment |
|-------|-------------|

[Miscellaneous](#)

[Environmental Con-](#)

[Environmental Con-](#)

Further information**Information on the packaging**

<https://support.industry.siemens.com/cs/ww/en/view/109813875>

Information- and Downloadcenter (Catalogs, Brochures,...)

<http://www.siemens.com/lowvoltage/catalogs>

Industry Mall (Online ordering system)

<https://mall.industry.siemens.com/mall/en/en/Catalog/product?mlfb=3LD2264-0TB53>

Service&Support (Manuals, Certificates, Characteristics, FAQs,...)

<https://support.industry.siemens.com/cs/ww/en/ps/3LD2264-0TB53>

Image database (product images, 2D dimension drawings, 3D models, device circuit diagrams, ...)

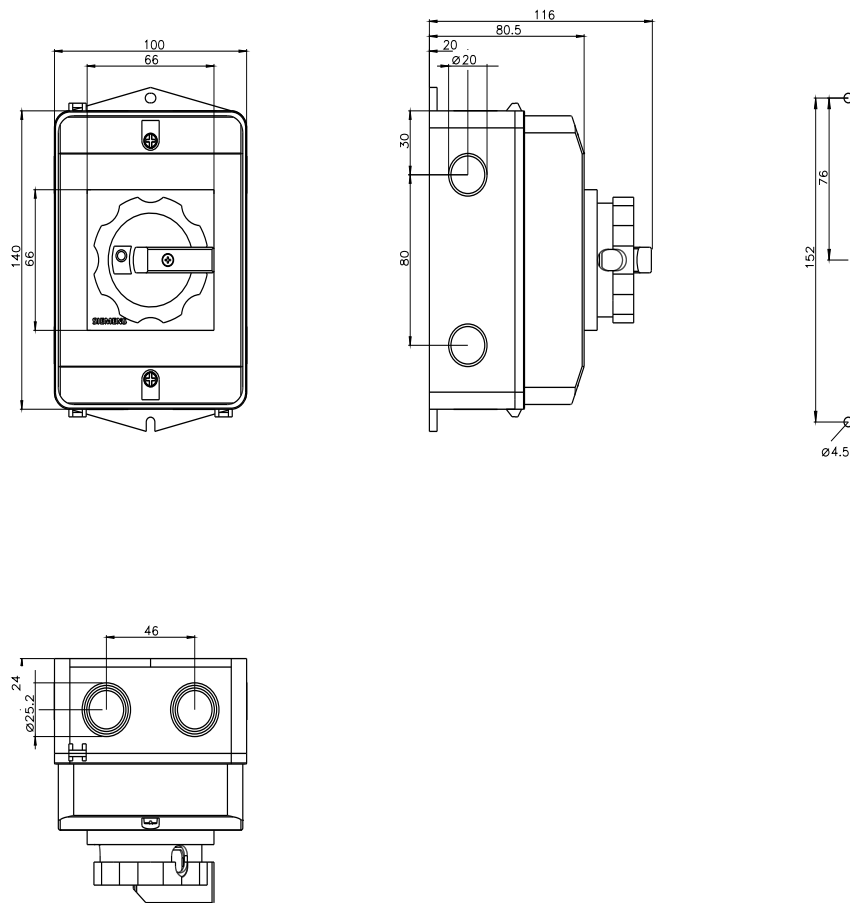
http://www.automation.siemens.com/bilddb/cax_en.aspx?mlfb=3LD2264-0TB53

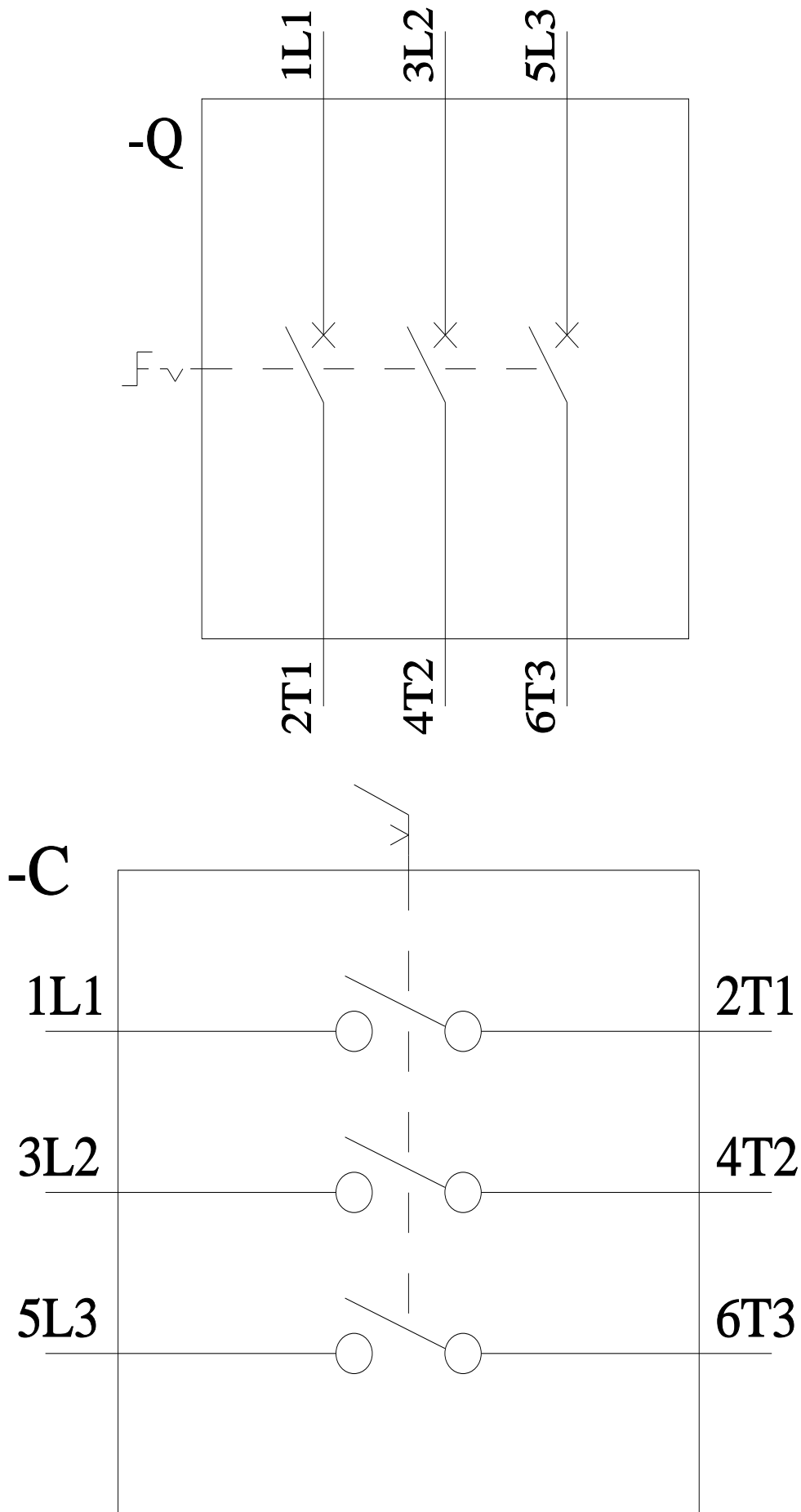
CAX-Online-Generator

<http://www.siemens.com/cax>

Tender specifications

<http://www.siemens.com/specifications>





last modified:

6/20/2023 

